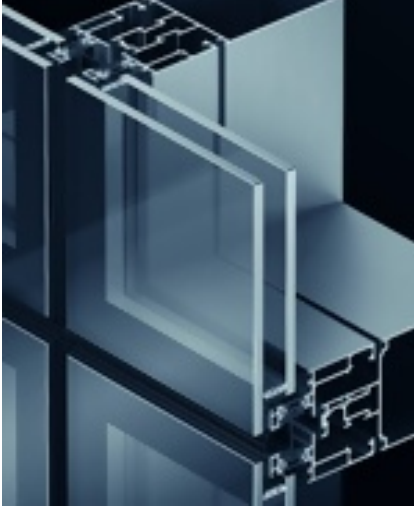


Schüco SFC 85: Yapısal Cam Cepheler

Yapısal cam varyasyonu şeklindeki yeni ısı bariyerli cephe sistemi Schüco SFC 85 (Çubuk Çerçeve Konstrüksiyon) giydirme cephelemeye yönelik yüksek değerli mimari çözümler temin edebilir. Açma ünitelerinin cephe ile aynı düzeyde bütünleştirilmesinin bir sonucu olarak sabit pencereler ve açma üniteleri hem dışarıdan hem de içeriden aynı görünürler.

Üç tipte camlama ve yeni bir donanım nesline sahip test edilmiş Schüco sistem çözümü cephe tasarımında büyük özgürlük imkanı sağlar.



Özellikler ve yararlar

- Isıl bariyerli yapısal cam cephe
- Gizli motor tahriği ile birlikte kullanılan yük taşıyıcı yapı ile tam olarak bütünleştirilmiş açma üniteleri
- 85 mm iç alın genişliği
- Üç tip camlama:
 - Kademeli yalıtım camı (tip A)
 - UV-dayanımlı standart yalıtım camı (tip B)
- Köşe contası
 - Cam çıtalı (tip C)
- Yeni bir donanım nesli: kanat ağırlıkları açma üniteleri için azami 250 kg'ye kadar ve sabit pencereler için 300 kg'ye kadar

Camlama tipleri

Schüco SFC 85 cephe sistemi için üç tip camlama mevcuttur: Farklı uluslararası bina düzenlemeleri ve ülkelere özgü özellikler ile uyumlu olmak amacı doğrultusunda kademeli yalıtım camı, silikon köşe contalı standart IGU ve cam çıtalı standart IGU

Kademeli yalıtım camı ve UV dayanımlı köşe contalı standart IGU'lar mükemmel yapısal camlama çözümleri oluştururken cam çıtaların kullanımı da çerçevesel bir görünüme sahip bir cephe yaratmada ek bir sistem seçeneği sunar.

Yeni bir donanım nesli

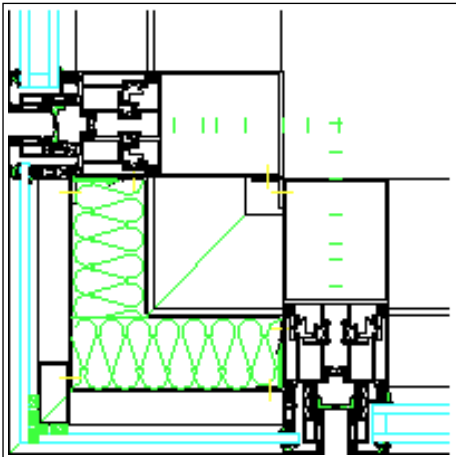
Birbirine göre ayarlanmış yeni nesil donanımlar çok etkileyicidir. Azami 250 kg'ye kadar olan kanat ağırlıkları için yedi sürtünme kolu ve iki farklı tip paralel açılan donanım mevcuttur. Özel cırcır kolu (ters vasistaslı pencereler için) iki boyda mevcuttur ve açık pencereyi pozitif ve negatif rüzgar yüklerine karşı hassas bir şekilde sabitler.

Tech. Information

| | |
|--|--|
| Material | |
| Aluminium | |
| Type of construction | |
| Thermally insulated | |
| Windows | |
| Outward opening windows | Side hung vents Projected top hung windows Parallel opening windows |
| Systems for window and façade management technology | |
| Motors and drives | for tilt/slide, parallel opening/side hung, parallel opening for smoke extractors |
| Façades | |
| Curtain walling | |
| Non-ventilated façades (mullion/transom) | |
| Ribbon window façade | |
| Structural glazing | |

CAD-Drawings

Outer corner / Typ C

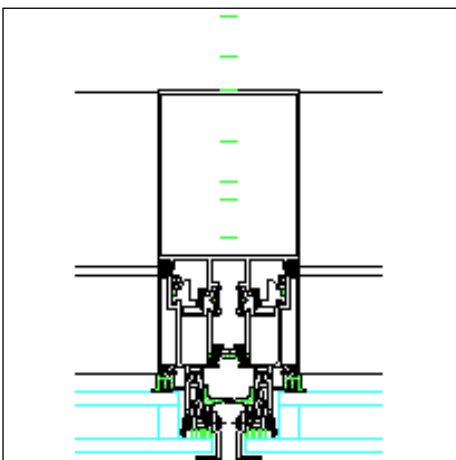


Schüco SFC 85

Drawing dxf (dxf/815 KB)

Drawing dwg (dwg/263 KB)

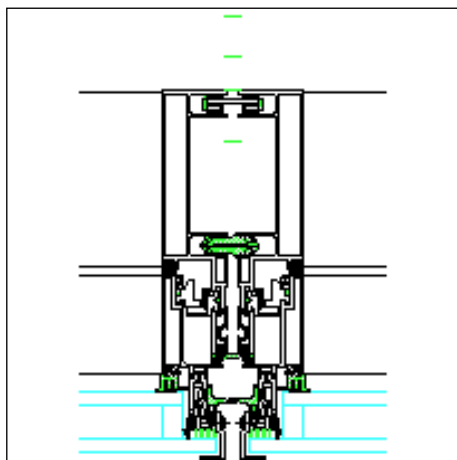
Profile combinations type A



Mullion, fixed light Schüco SFC 85

Drawing dxf (dxf/429 KB)

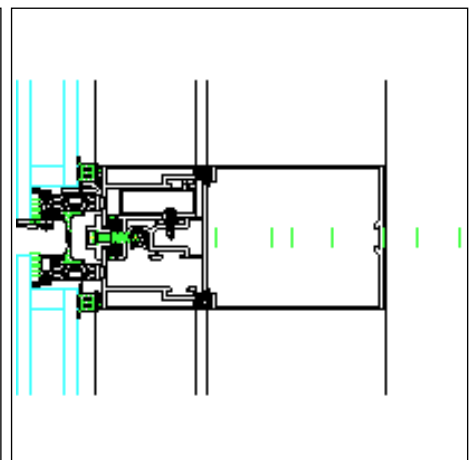
Drawing dwg (dwg/147 KB)



Assembly mullion, fixed light Schüco SFC 85

Drawing dxf (dxf/502 KB)

Drawing dwg (dwg/168 KB)

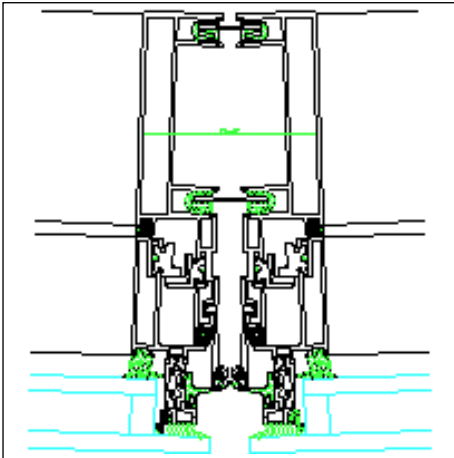


Transom, fixed light Schüco SFC 85

Drawing dxf (dxf/487 KB)

Drawing dwg (dwg/173 KB)

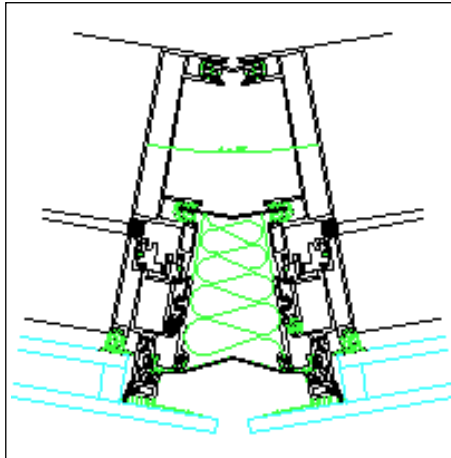
Faceting / Type A



0 - 4° Schüco SFC 85

Drawing dxf (dxf/552 KB)

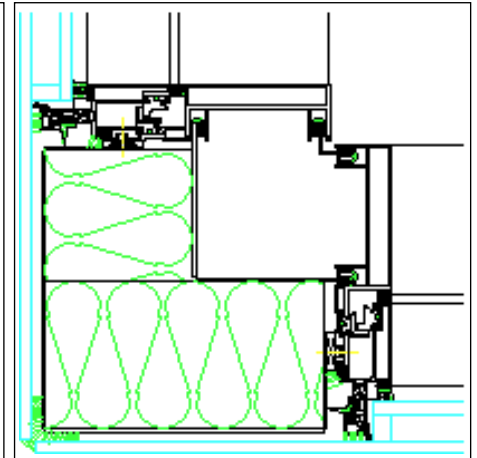
Drawing dwg (dwg/182 KB)



4 - 20° Schüco SFC 85

Drawing dxf (dxf/584 KB)

Drawing dwg (dwg/192 KB)

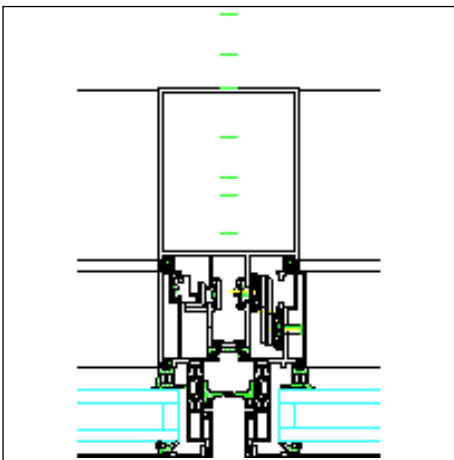


Outer corner / Typ A Schüco SFC 85

Drawing dxf (dxf/522 KB)

Drawing dwg (dwg/174 KB)

Profile combinations type C

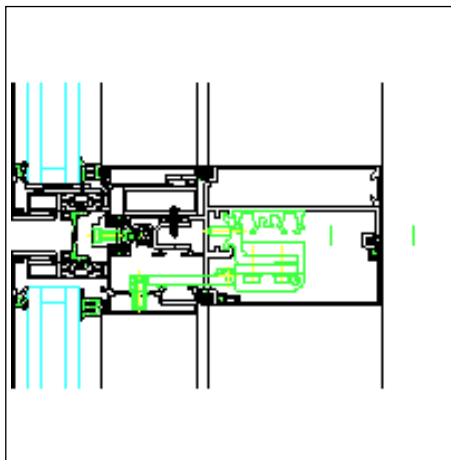


Mullion, parallel opening window

Schüco SFC 85

Drawing dxf (dxf/578 KB)

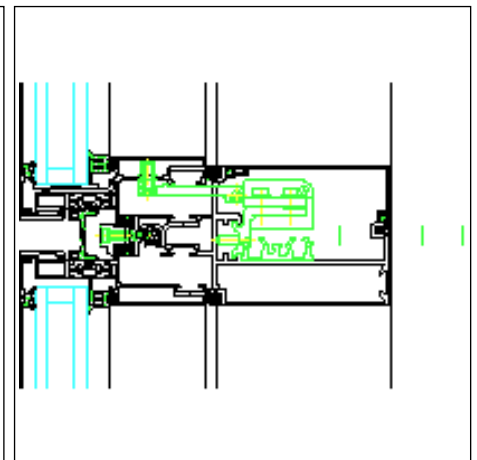
Drawing dwg (dwg/187 KB)



Transoms with motor Schüco SFC 85

Drawing dxf (dxf/630 KB)

Drawing dwg (dwg/210 KB)

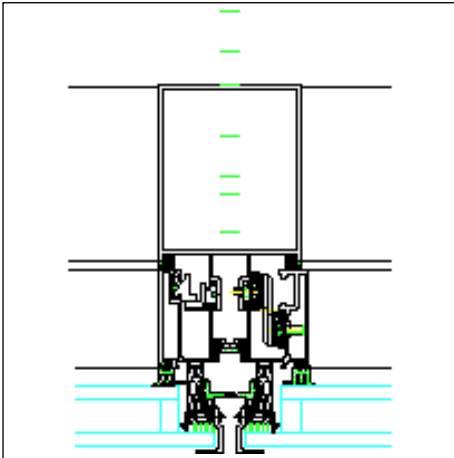


Transoms with motor Schüco SFC 85

Drawing dxf (dxf/605 KB)

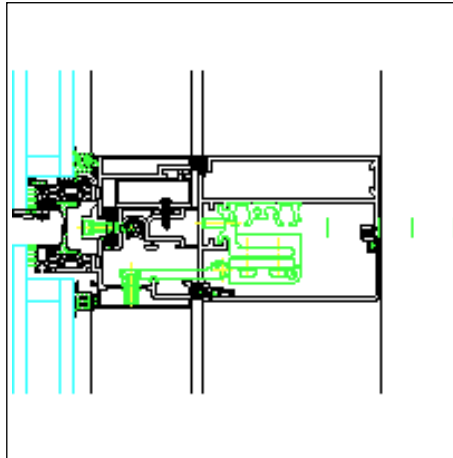
Drawing dwg (dwg/194 KB)

Profile combinations type A



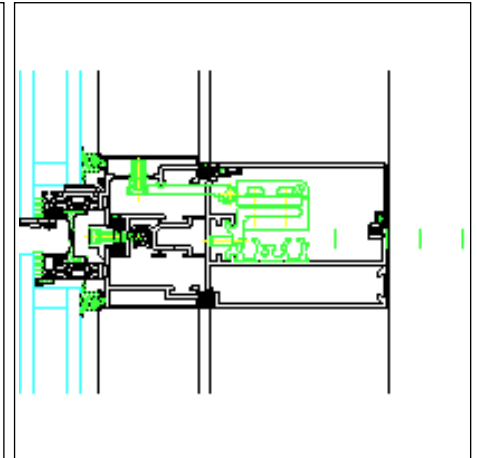
**Mullion, parallel opening window
Schüco SFC 85**

Drawing dxf (dxf/547 KB)
Drawing dwg (dwg/178 KB)



Transoms with motor Schüco SFC 85

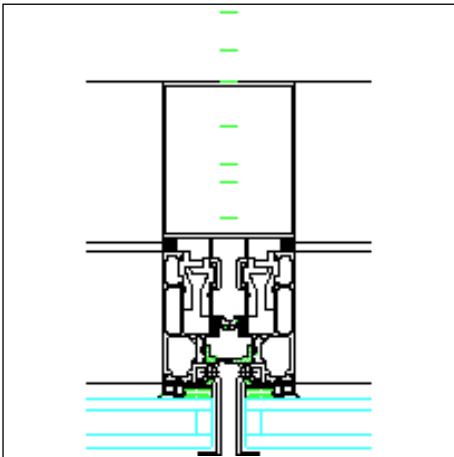
Drawing dxf (dxf/637 KB)
Drawing dwg (dwg/212 KB)



Transoms with motor Schüco SFC 85

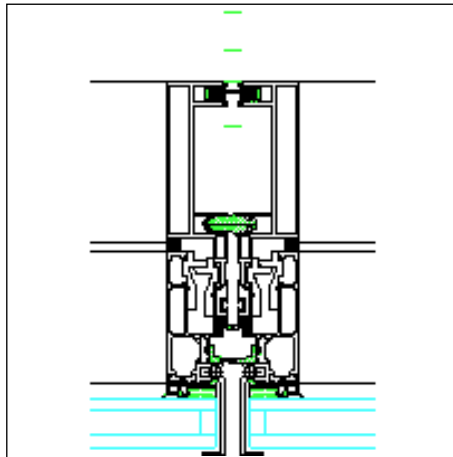
Drawing dxf (dxf/614 KB)
Drawing dwg (dwg/196 KB)

Profile combinations type B



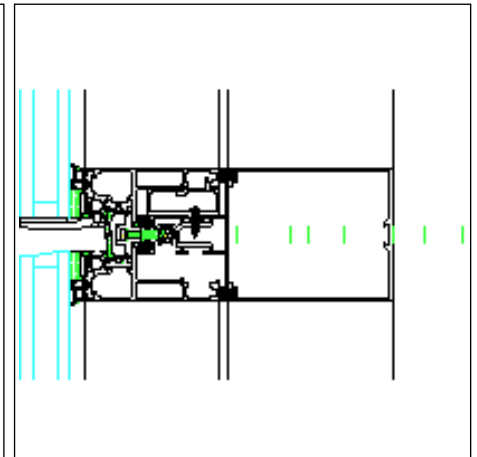
Mullion, fixed light Schüco SFC 85

Drawing dxf (dxf/417 KB)
Drawing dwg (dwg/144 KB)



**Assembly mullion, fixed light Schüco
SFC 85**

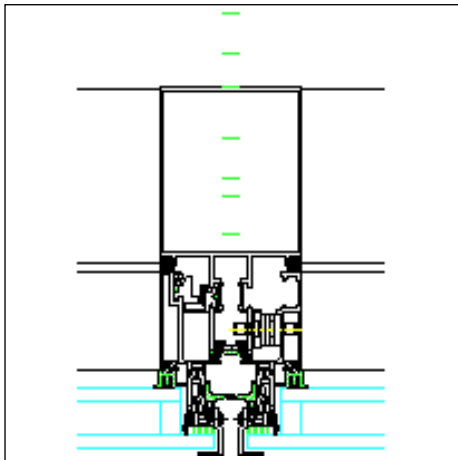
Drawing dxf (dxf/492 KB)
Drawing dwg (dwg/166 KB)



Transom, fixed light Schüco SFC 85

Drawing dxf (dxf/524 KB)
Drawing dwg (dwg/187 KB)

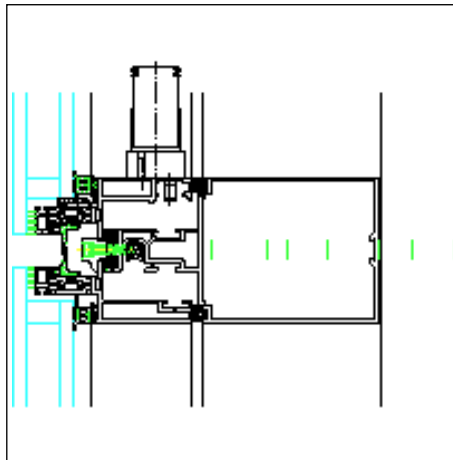
Profile combinations type A



**Mullion, projected top-hung window
Schüco SFC 85**

Drawing dxf (dxf/487 KB)

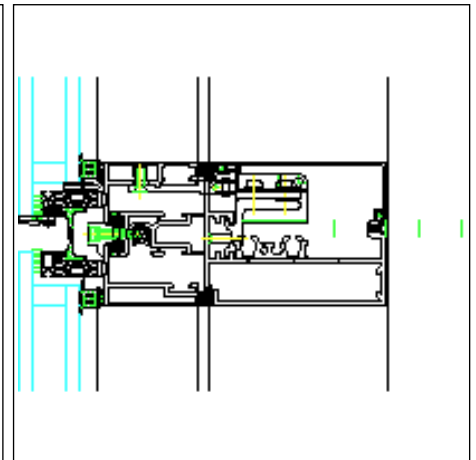
Drawing dwg (dwg/161 KB)



**Transom, projected top-hung window
Schüco SFC 85**

Drawing dxf (dxf/638 KB)

Drawing dwg (dwg/204 KB)

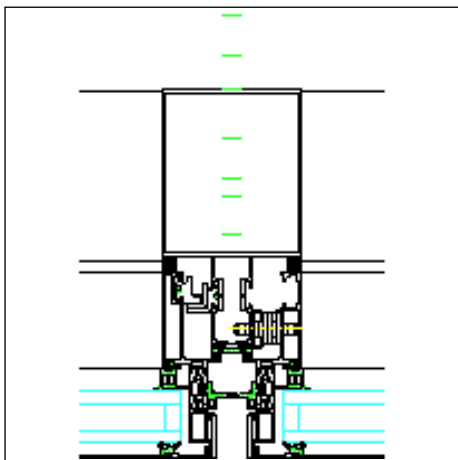


Transoms with motor Schüco SFC 85

Drawing dxf (dxf/603 KB)

Drawing dwg (dwg/192 KB)

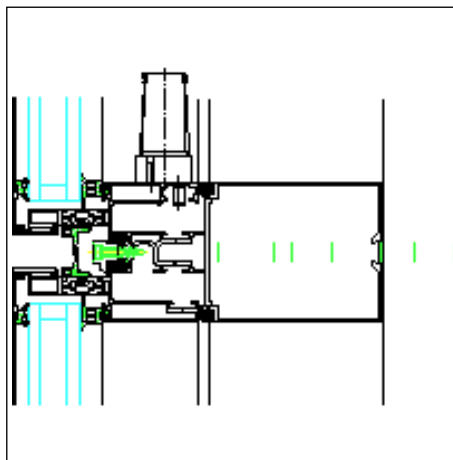
Profile combinations type C



**Mullion, projected top-hung window
Schüco SFC 85**

Drawing dxf (dxf/516 KB)

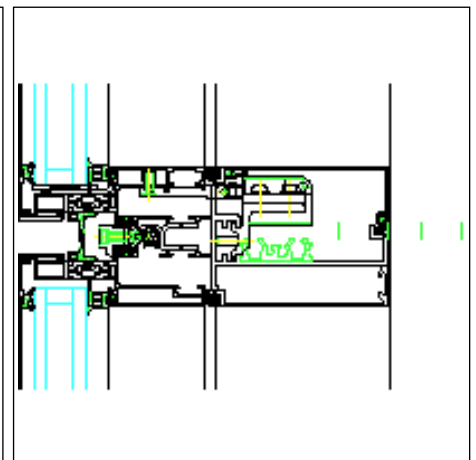
Drawing dwg (dwg/172 KB)



**Transom, projected top-hung window
Schüco SFC 85**

Drawing dxf (dxf/633 KB)

Drawing dwg (dwg/203 KB)

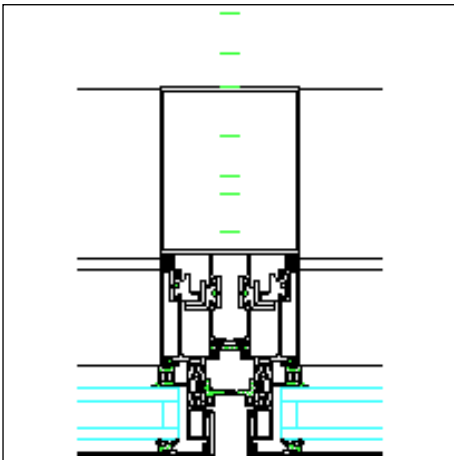


Transoms with motor Schüco SFC 85

Drawing dxf (dxf/627 KB)

Drawing dwg (dwg/198 KB)

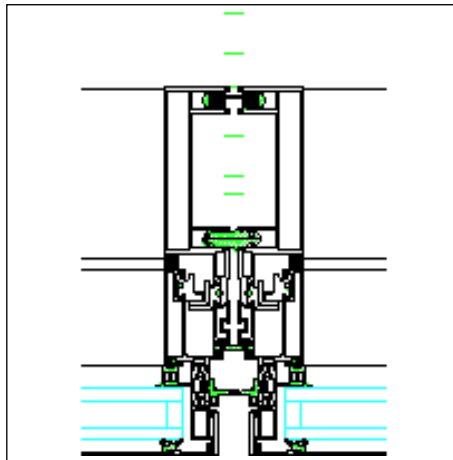
Profile combinations type C



Mullion, fixed light Schüco SFC 85

Drawing dxf (dxf/509 KB)

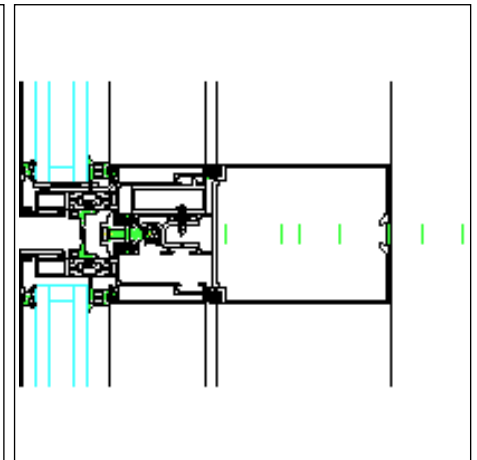
Drawing dwg (dwg/171 KB)



Assembly mullion, fixed light Schüco SFC 85

Drawing dxf (dxf/534 KB)

Drawing dwg (dwg/178 KB)

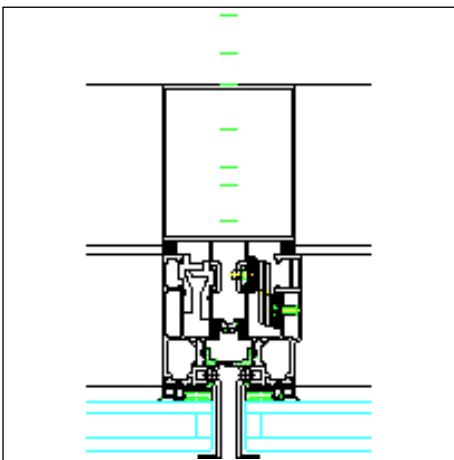


Transom, fixed light Schüco SFC 85

Drawing dxf (dxf/461 KB)

Drawing dwg (dwg/165 KB)

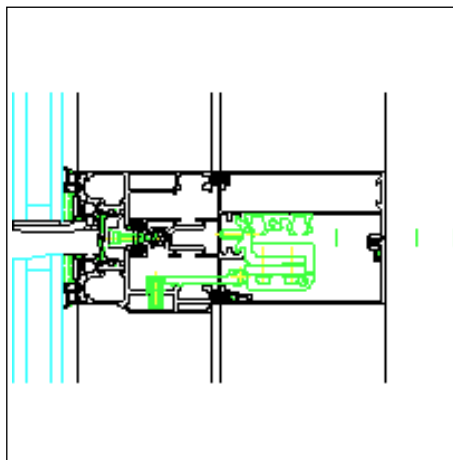
Profile combinations type B



Mullion, parallel opening window Schüco SFC 85

Drawing dxf (dxf/510 KB)

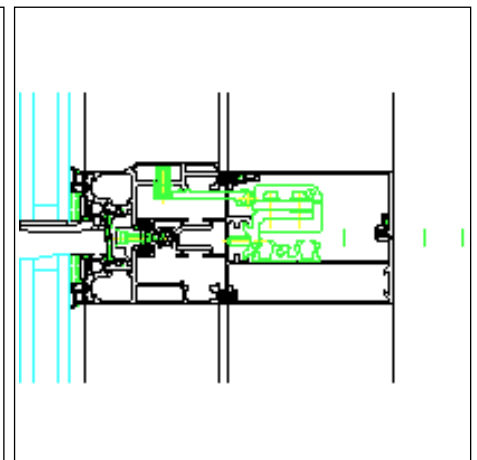
Drawing dwg (dwg/167 KB)



Transoms with motor (PAF) Schüco SFC 85

Drawing dxf (dxf/633 KB)

Drawing dwg (dwg/203 KB)

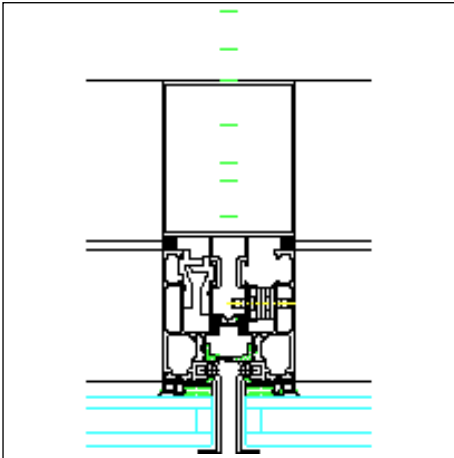


Transoms with motor (PAF) Schüco SFC 85

Drawing dxf (dxf/632 KB)

Drawing dwg (dwg/203 KB)

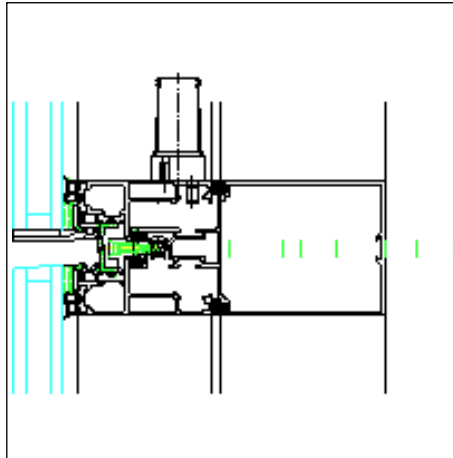
Profile combinations type B



**Mullion, projected top-hung window
Schüco SFC 85**

Drawing dxf (dxf/435 KB)

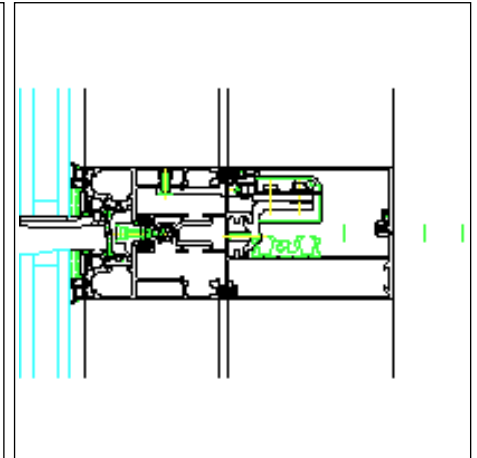
Drawing dwg (dwg/148 KB)



**Transom, projected top-hung window
Schüco SFC 85**

Drawing dxf (dxf/677 KB)

Drawing dwg (dwg/217 KB)

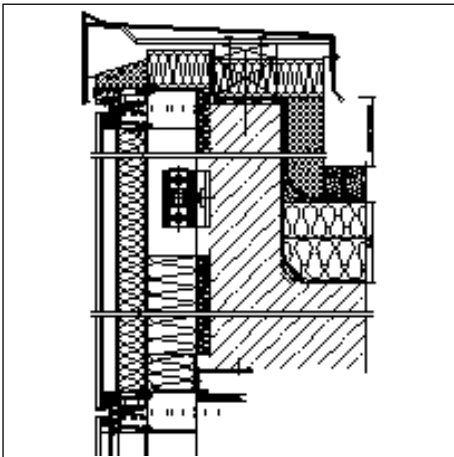


Transoms with motor Schüco SFC 85

Drawing dxf (dxf/626 KB)

Drawing dwg (dwg/200 KB)

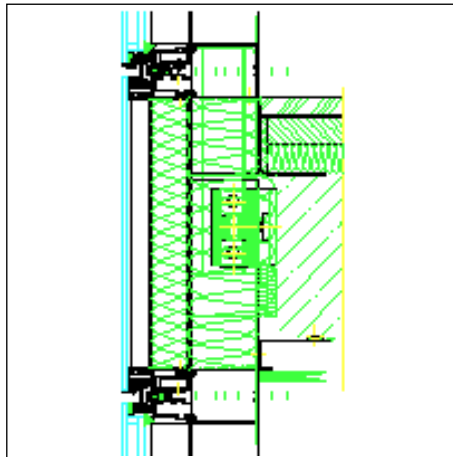
Attachments to structure 1



**Top façade attachment, Fascia with
toughened safety glass spandrel**

Drawing dxf (dxf/1.1 MB)

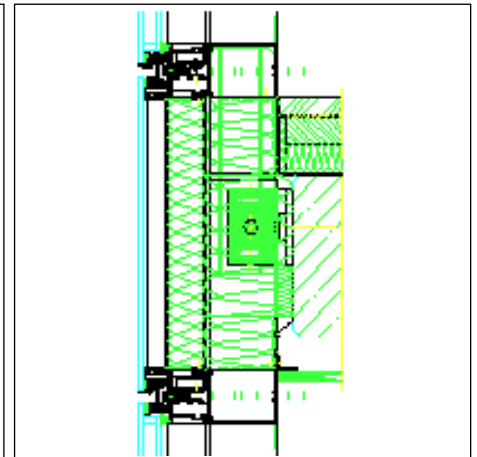
Drawing dwg (dwg/341 KB)



**Façade fixing bracket head fixed
bearing point**

Drawing dxf (dxf/888 KB)

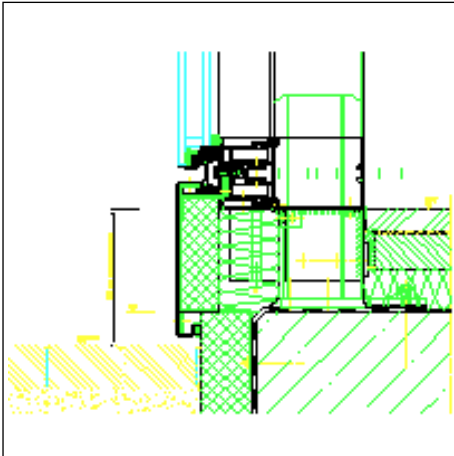
Drawing dwg (dwg/288 KB)



**Façade fixing bracket head sliding
bearing point**

Drawing dxf (dxf/893 KB)

Drawing dwg (dwg/289 KB)

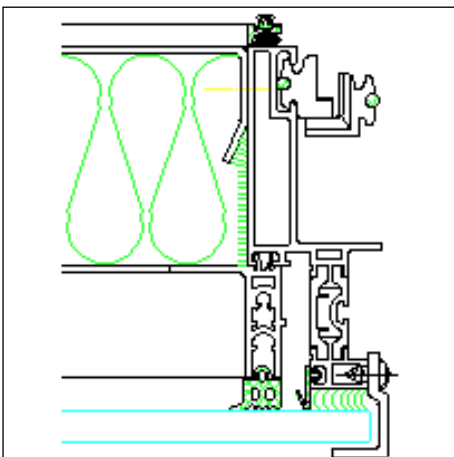


Bottom façade attachment, Fixed light

Drawing dxf (dxf/613 KB)

Drawing dwg (dwg/205 KB)

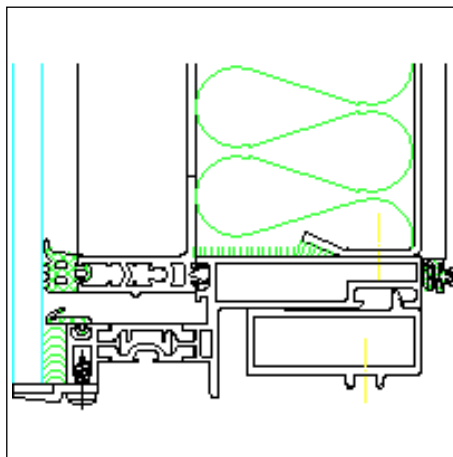
Spandrel glazing



**Type A Mullion section detail
(horizontal) Schüco SFC 85**

Drawing dxf (dxf/253 KB)

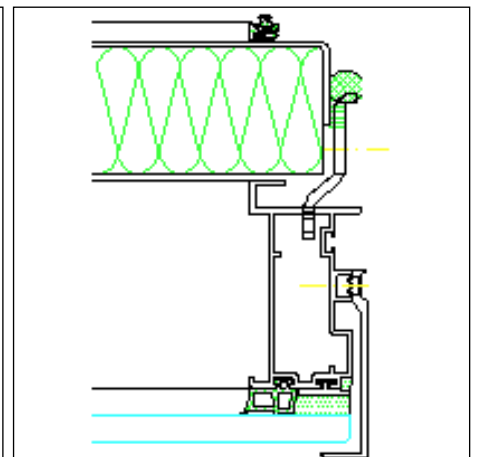
Drawing dwg (dwg/95 KB)



**Type A Transom section detail
(vertical) Schüco SFC 85**

Drawing dxf (dxf/250 KB)

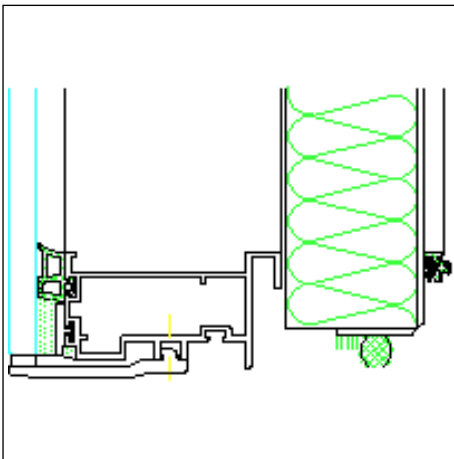
Drawing dwg (dwg/103 KB)



**Type B / spandrel glazing Mullion
section detail (horizontal) Schüco SFC
85**

Drawing dxf (dxf/206 KB)

Drawing dwg (dwg/82 KB)

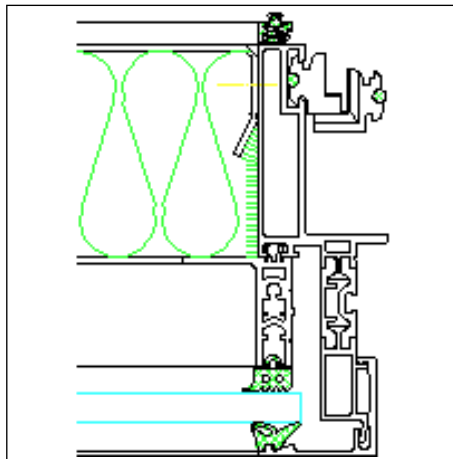


Type B Transom section detail (vertical)

Schüco SFC 85

Drawing dxf (dxf/196 KB)

Drawing dwg (dwg/78 KB)



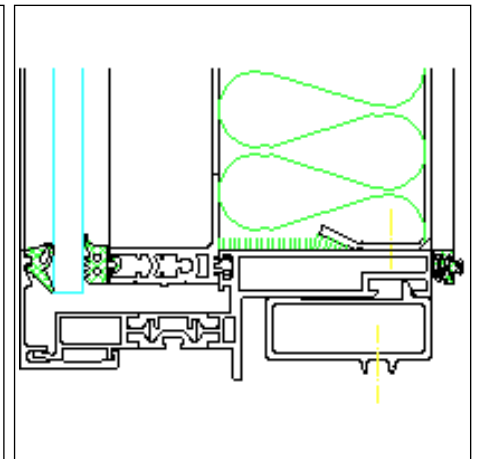
Type C / spandrel glazing Mullion

section detail (horizontal) Schüco SFC

85

Drawing dxf (dxf/240 KB)

Drawing dwg (dwg/92 KB)



Type C Transom section detail

(vertical) Schüco SFC 85

Drawing dxf (dxf/235 KB)

Drawing dwg (dwg/99 KB)