

Schüco Window AWS 70.HI

Schüco AWS 70.HI pencereler, özel tasarım ihtiyaçları için kapsamlı çözümler sunar. Pahlanmış dış köşeleri ile Design Contour RL (Konut Serisi), yenileme projelerinde kullanım veya görsel vurgulama açısından ideal bir çözüm sunar. Çok dar çelik konturu ile Schüco Window AWS 70 ST.HI sistemi gerek eski çelik pencereleri yenilemede gerekse yeni evleri cazip çelik görünümlü pencereler ile donatmada ideal bir çözüm sunar.



Özellikler ve yararlar:

- 70 mm anma derinliği için iyileştirilmiş ısı yalıtım: 1,6 W/m²K'lik U_f değerleri (alın genişliği 117 mm)
- Ayrıca geniş, ağır üniteler için aynı seviyeye monteli kanat ve krank tahrikli açma/eğme çözümü olarak da mevcuttur
- Tasarım sistemlerini içeren geniş profil aralığı
Schüco AWS 70 RL.HI (Konut Serisi),
Schüco AWS 70 SL.HI (Yumuşak Hat Serisi) ve
Schüco AWS 70 ST.HI (Çelik Kontur)
- Schüco ADS kapı serileri ile uyumlu

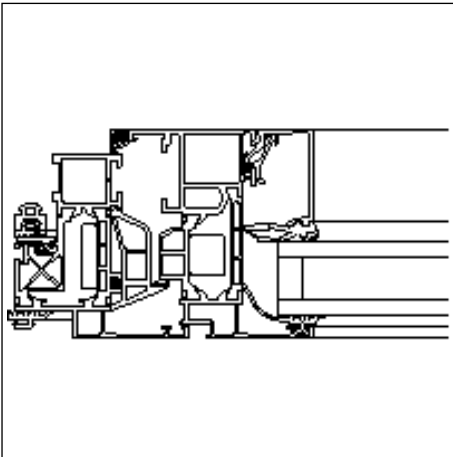
Schüco AvanTec ve Schüco TipTronic gizli donanımları ile birlikte kullanılmasıyla, Schüco AWS 70.HI hem tasarım hem de kullanım kolaylığı açısından en yüksek standartları karşılar.

Tech. Information

Material	
Aluminium	
Type of construction	
Thermally insulated	
Windows	
Inward opening windows	Side hung vents (SH) Turn/tilt vents (TT) Bottom hung vents (BH) tilt before turn vents (tilt b. turn) Double vents Crank-operated turn/tilt vents Tilt/slide vents Bottom hung toplight Flush-fitted side hung vents Flush-fitted turn/tilt vents Flush-fitted bottom hung vents
Outward opening windows	Side hung vents Top hung vents
Horizontal/vertical pivot windows	
Horizontal pivot windows	
Vertical pivot windows	
Window as an insert unit for façades	
Security	
Burglar resistance DIN V ENV 1627 to 1630	WK 1 WK 2 WK 3
Further tests	
Air permeability DIN EN 12207	Class 4
Weathertightness DIN EN 12208	9A
Resistance to wind load DIN EN 12210	B5 C5
Thermal transmittance DIN EN 12412-2	$U_f = 1,5 - 1,9 W/(m^2K)$

CAD-Drawings

Insert units 1

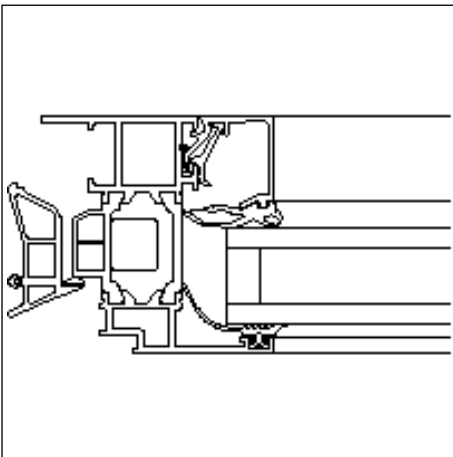


Insert unit for FW 50+ / FW 60+

Drawing dxf (dxf/219 KB)

Drawing dwg (dwg/83 KB)

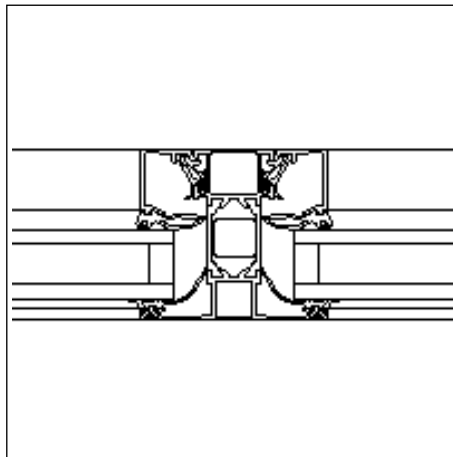
Supplements



Flush-fitted vent 41 mm

Drawing dxf (dxf/126 KB)

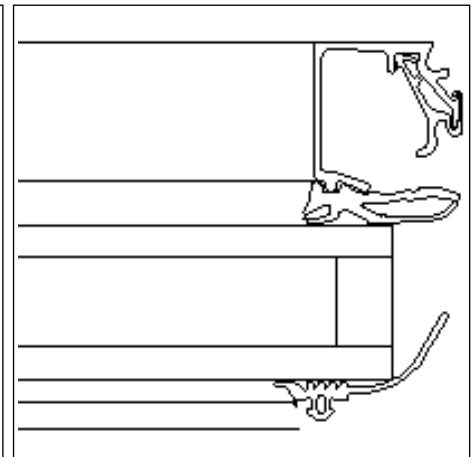
Drawing dwg (dwg/57 KB)



Vent sash bar

Drawing dxf (dxf/102 KB)

Drawing dwg (dwg/52 KB)

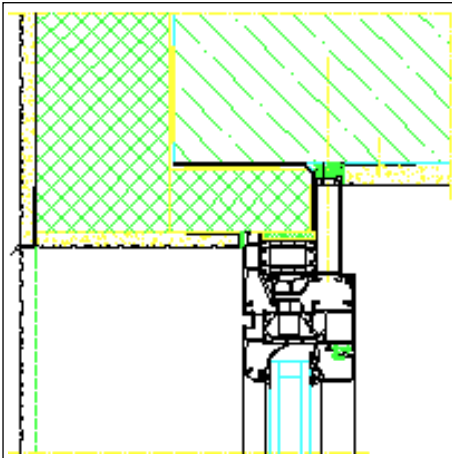


Fixed glazing

Drawing dxf (dxf/58 KB)

Drawing dwg (dwg/40 KB)

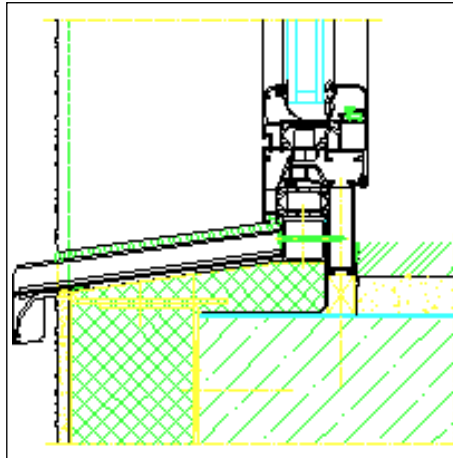
Windows, attachments to structure 1



Top attachment

Drawing dxf (dxf/348 KB)

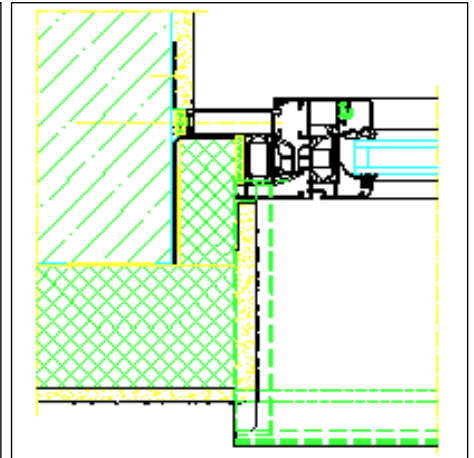
Drawing dwg (dwg/119 KB)



Sill attachment

Drawing dxf (dxf/375 KB)

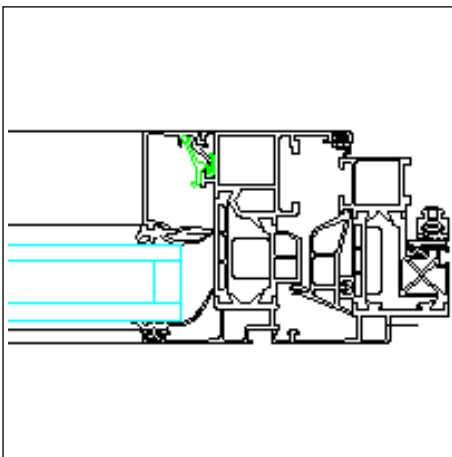
Drawing dwg (dwg/127 KB)



Side wall attachment

Drawing dxf (dxf/441 KB)

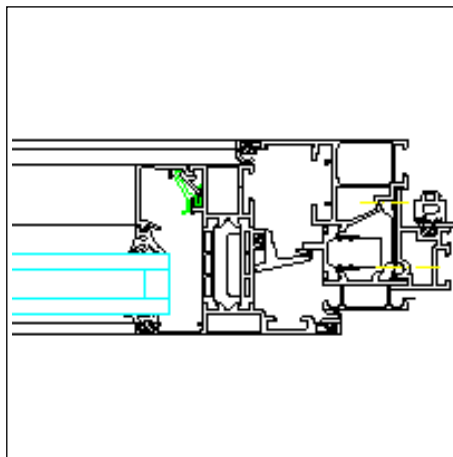
Drawing dwg (dwg/155 KB)



Schüco AWS 70.HI Turn/tilt window with insert outer frame

Drawing dxf (dxf/213 KB)

Drawing dwg (dwg/82 KB)

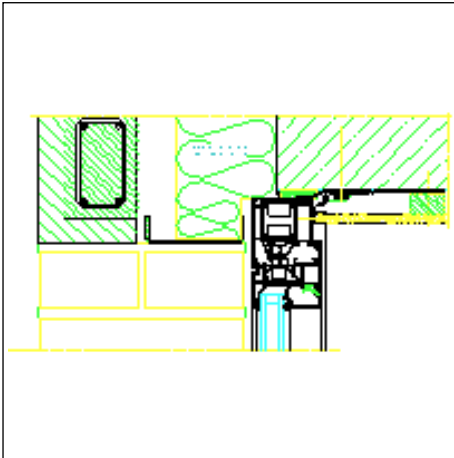


Schüco AWS 70.HI Outward opening side hung vent

Drawing dxf (dxf/216 KB)

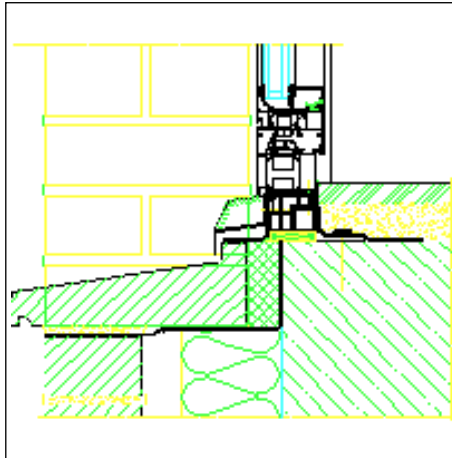
Drawing dwg (dwg/84 KB)

Windows, attachments to structure 2



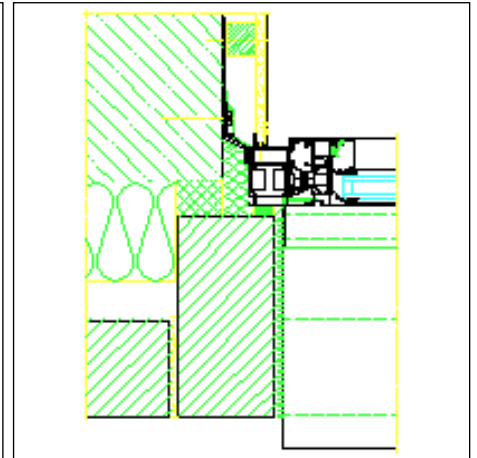
Top attachment

Drawing dxf (dxf/365 KB)
Drawing dwg (dwg/138 KB)



Sill attachment

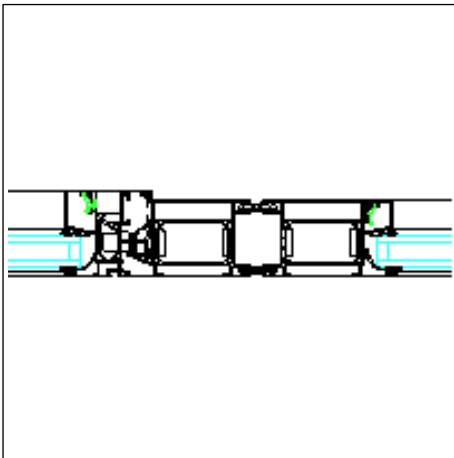
Drawing dxf (dxf/416 KB)
Drawing dwg (dwg/152 KB)



Side wall attachment

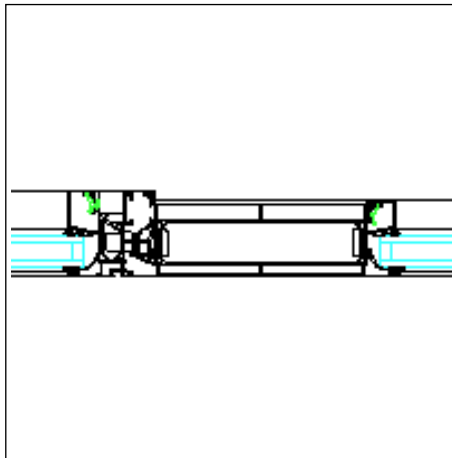
Drawing dxf (dxf/361 KB)
Drawing dwg (dwg/138 KB)

Side hung and turn/tilt window 5



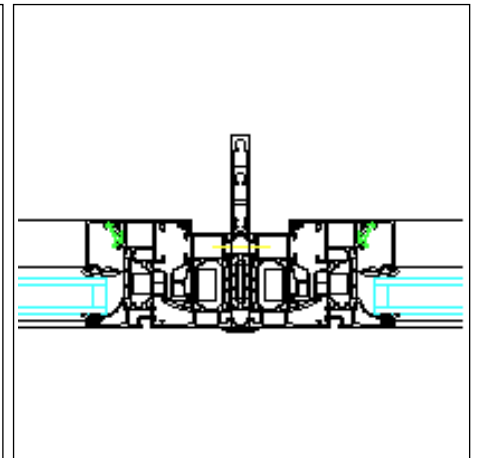
Expansion and assembly joint with 250 mm face width

Drawing dxf (dxf/213 KB)
Drawing dwg (dwg/83 KB)



Transom/mullion 250 mm face width

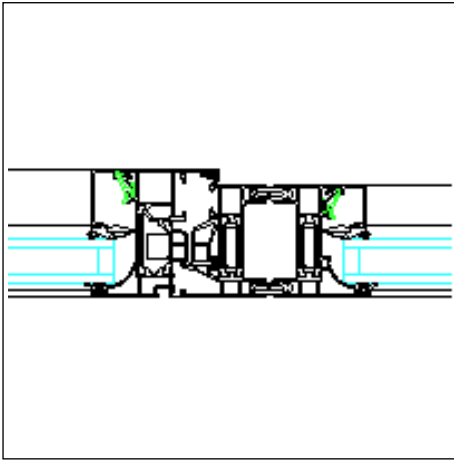
Drawing dxf (dxf/212 KB)
Drawing dwg (dwg/82 KB)



coupling mullion

Drawing dxf (dxf/417 KB)
Drawing dwg (dwg/139 KB)

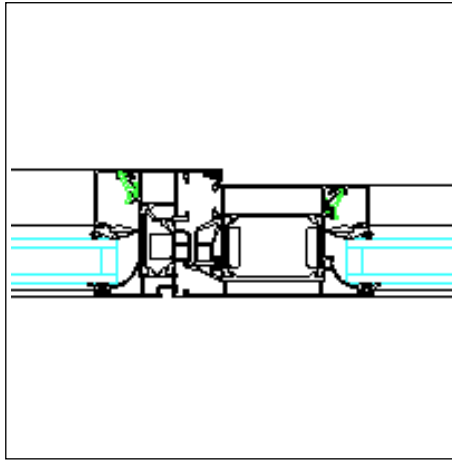
Side hung and turn/tilt window types 3



Expansion and assembly joint with 124 mm face width

Drawing dxf (dxf/208 KB)

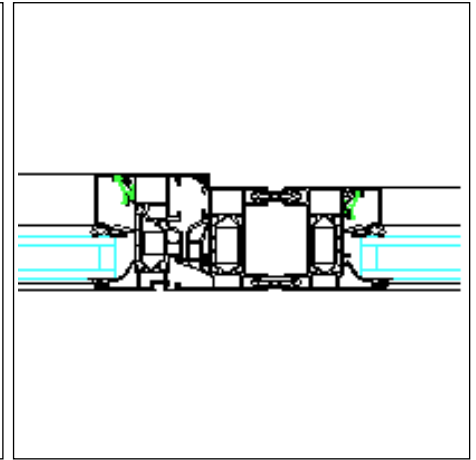
Drawing dwg (dwg/82 KB)



Transom/mullion 124 mm face width

Drawing dxf (dxf/210 KB)

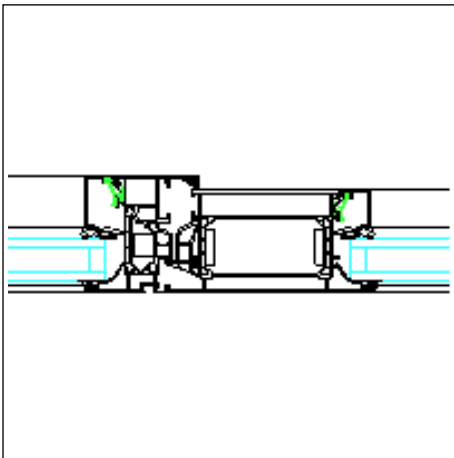
Drawing dwg (dwg/82 KB)



Expansion and assembly joint with 150 mm face width

Drawing dxf (dxf/210 KB)

Drawing dwg (dwg/82 KB)

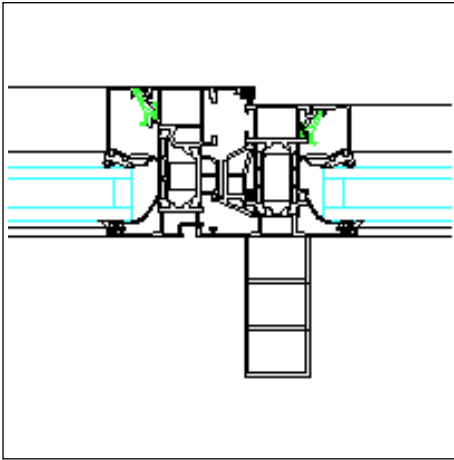


Transom/mullion 150 mm face width

Drawing dxf (dxf/210 KB)

Drawing dwg (dwg/82 KB)

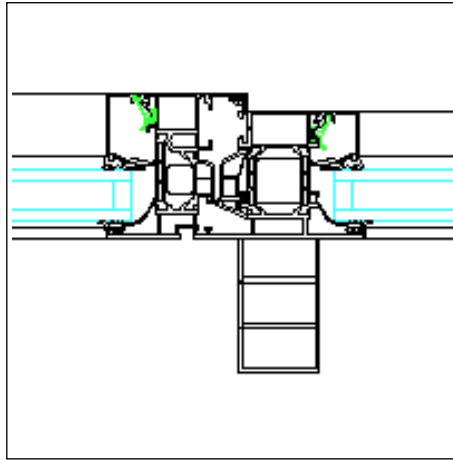
Side hung and turn/tilt window types 2



Transom / mullion 84 mm face width

Drawing dxf (dxf/545 KB)

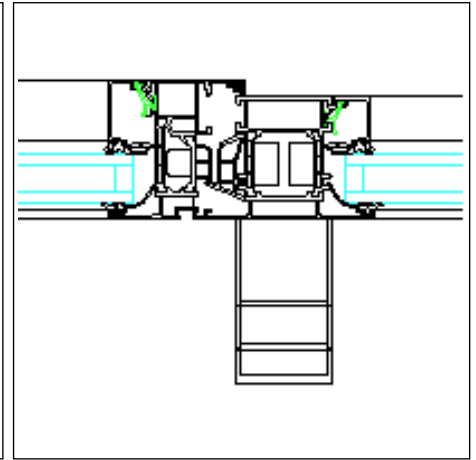
Drawing dwg (dwg/173 KB)



Transom / mullion 94 mm face width

Drawing dxf (dxf/542 KB)

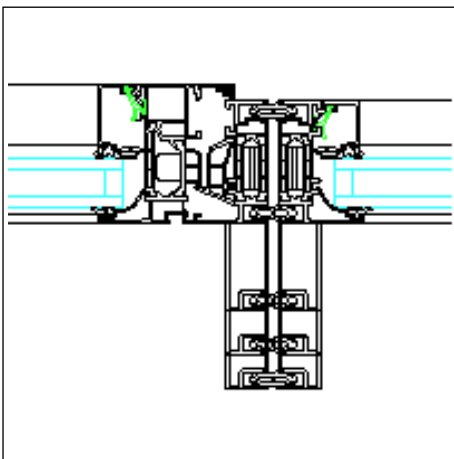
Drawing dwg (dwg/172 KB)



Transom/mullion 104 mm face width

Drawing dxf (dxf/549 KB)

Drawing dwg (dwg/174 KB)

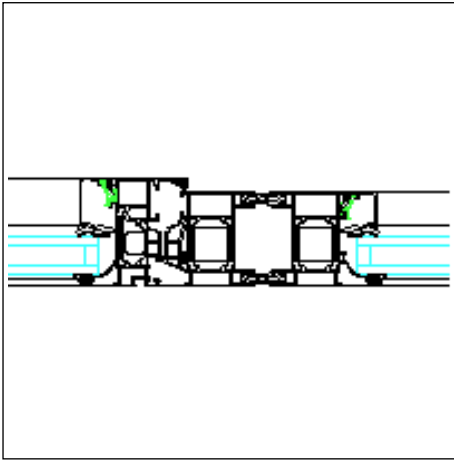


Expansion and assembly joint with 104 mm face width

Drawing dxf (dxf/536 KB)

Drawing dwg (dwg/172 KB)

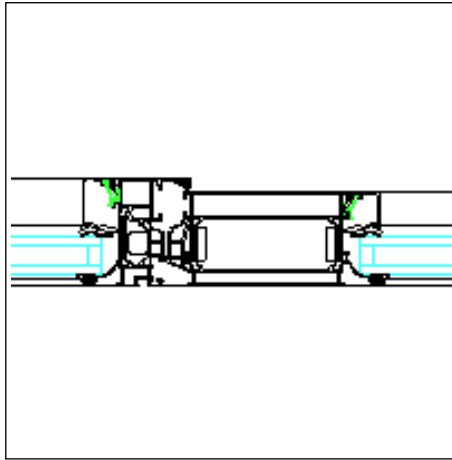
Side hung and turn/tilt window types 4



Expansion and assembly joint with 170 mm face width

Drawing dxf (dxf/210 KB)

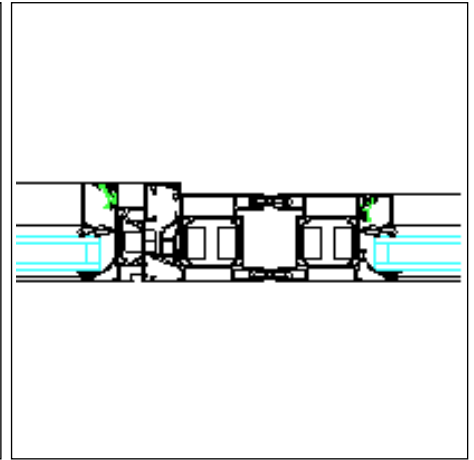
Drawing dwg (dwg/82 KB)



Transom/mullion 170 mm face width

Drawing dxf (dxf/209 KB)

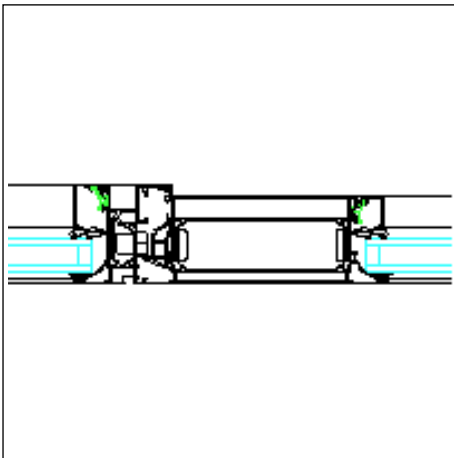
Drawing dwg (dwg/82 KB)



Expansion and assembly joint with 200 mm face width

Drawing dxf (dxf/212 KB)

Drawing dwg (dwg/83 KB)

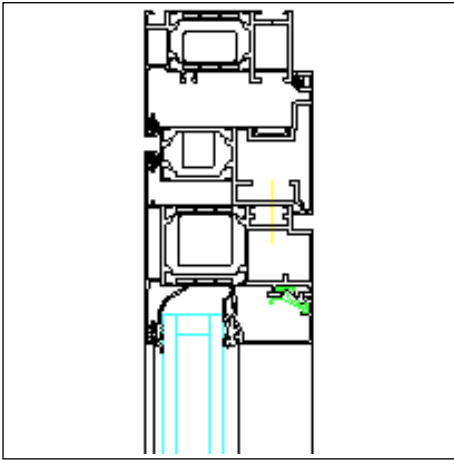


Transom/mullion 200 mm face width

Drawing dxf (dxf/209 KB)

Drawing dwg (dwg/82 KB)

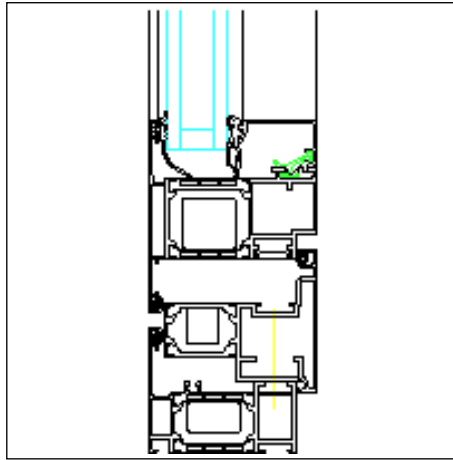
Vertical pivot vents



Top and side section detail Horizontal and vertical pivot window

Drawing dxf (dxf/204 KB)

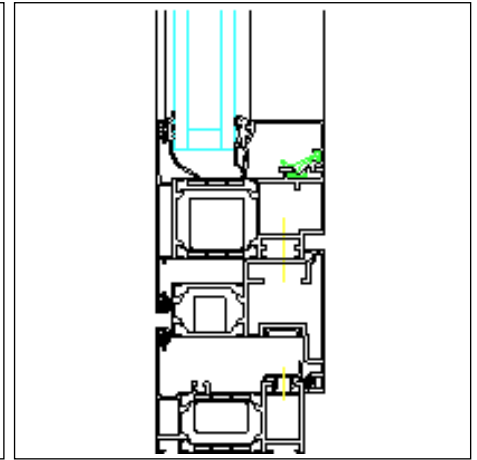
Drawing dwg (dwg/81 KB)



Bottom and side section detail Horizontal pivot window

Drawing dxf (dxf/204 KB)

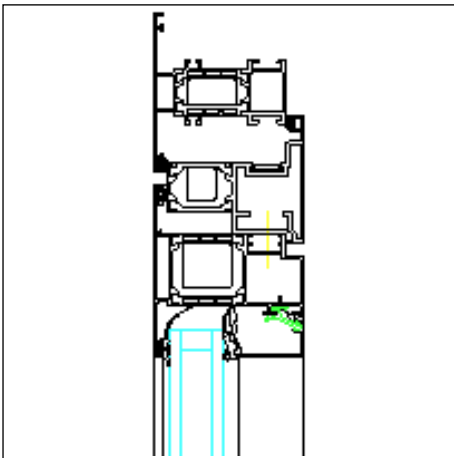
Drawing dwg (dwg/81 KB)



Bottom section detail Vertical pivot window

Drawing dxf (dxf/206 KB)

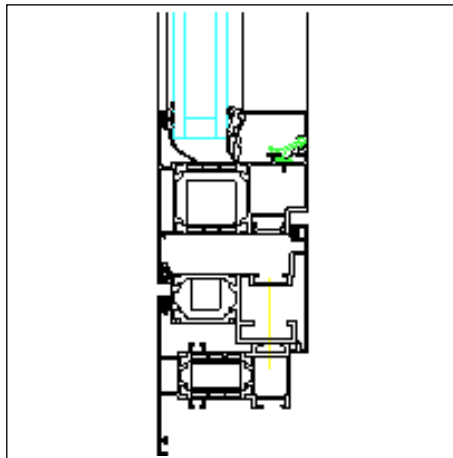
Drawing dwg (dwg/82 KB)



Top and side section detail Horizontal and vertical pivot window

Drawing dxf (dxf/210 KB)

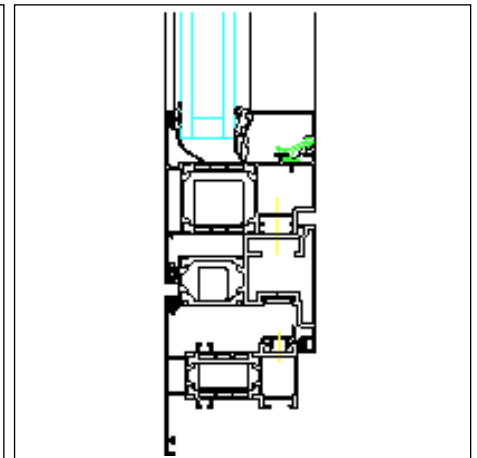
Drawing dwg (dwg/82 KB)



Bottom and side section detail Horizontal pivot window

Drawing dxf (dxf/211 KB)

Drawing dwg (dwg/95 KB)

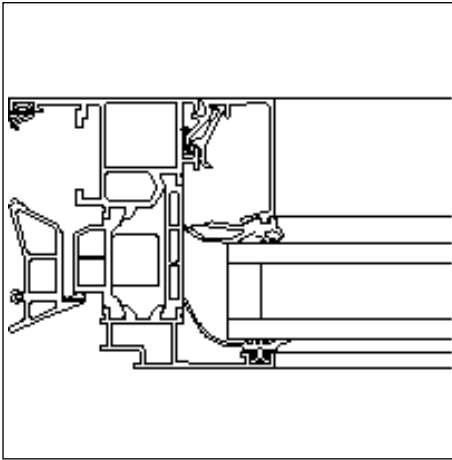


Bottom section detail Vertical pivot window

Drawing dxf (dxf/213 KB)

Drawing dwg (dwg/96 KB)

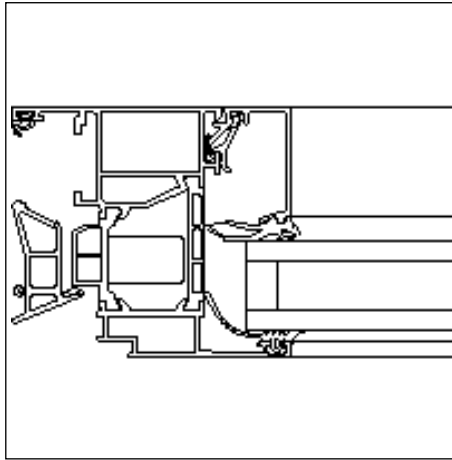
Supplements



Face-fitted vent 41 mm face width

Drawing dxf (dxf/139 KB)

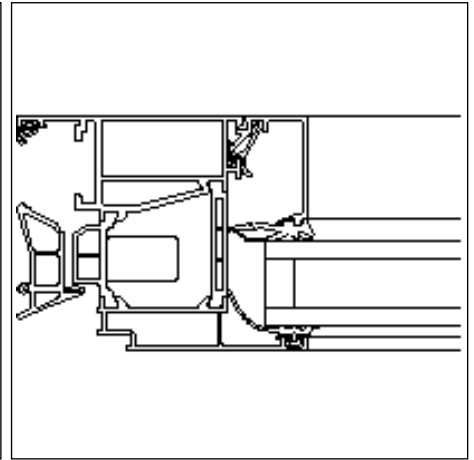
Drawing dwg (dwg/61 KB)



Face-fitted vent 51 mm face width

Drawing dxf (dxf/139 KB)

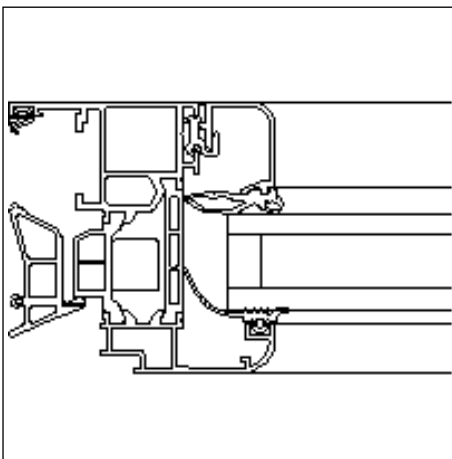
Drawing dwg (dwg/61 KB)



Face-fitted vent 61 mm face width

Drawing dxf (dxf/139 KB)

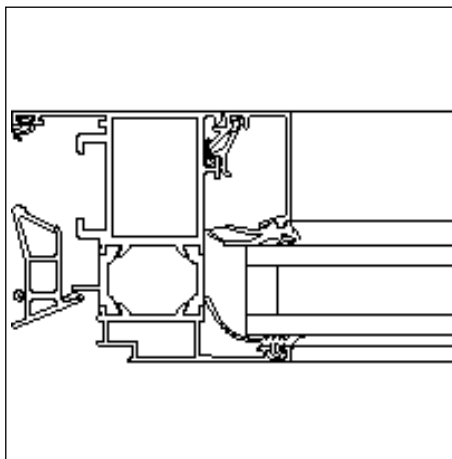
Drawing dwg (dwg/61 KB)



Alternative vent

Drawing dxf (dxf/137 KB)

Drawing dwg (dwg/60 KB)

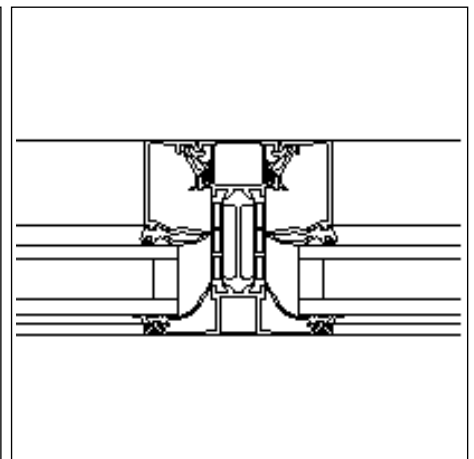


Face-fitted vent 41 mm face width

Crank-operated turn/tilt fitting

Drawing dxf (dxf/127 KB)

Drawing dwg (dwg/58 KB)

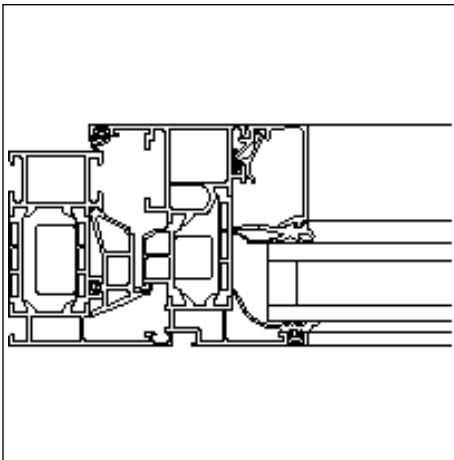


Vent sash bar

Drawing dxf (dxf/112 KB)

Drawing dwg (dwg/55 KB)

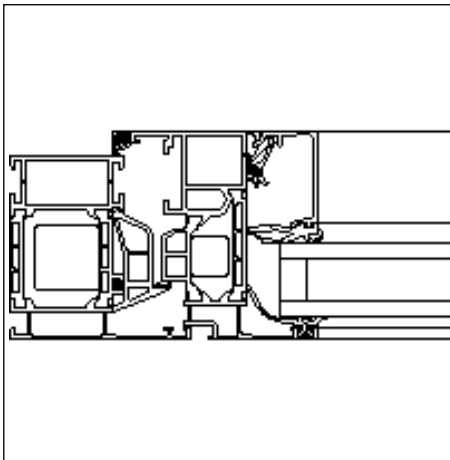
Side hung and turn/tilt windows 1



Vent with outer frame 59 mm face width

Drawing dxf (dxf/186 KB)

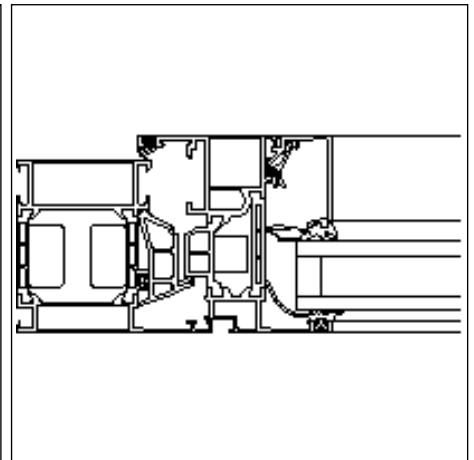
Drawing dwg (dwg/74 KB)



Vent with outer frame 69 mm face width

Drawing dxf (dxf/186 KB)

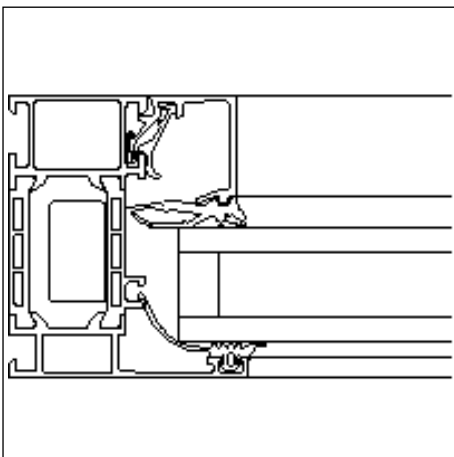
Drawing dwg (dwg/74 KB)



Vent with outer frame 79 mm face width

Drawing dxf (dxf/188 KB)

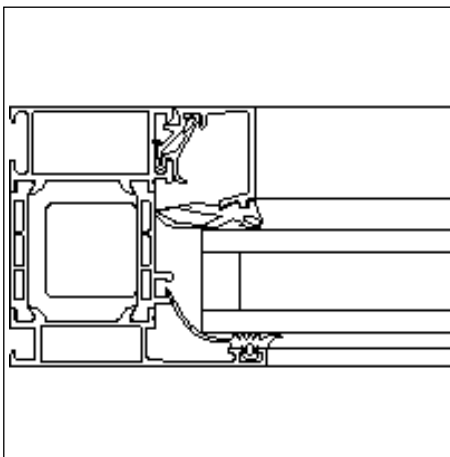
Drawing dwg (dwg/74 KB)



Fixed glazing with outer frame 59 mm face width

Drawing dxf (dxf/107 KB)

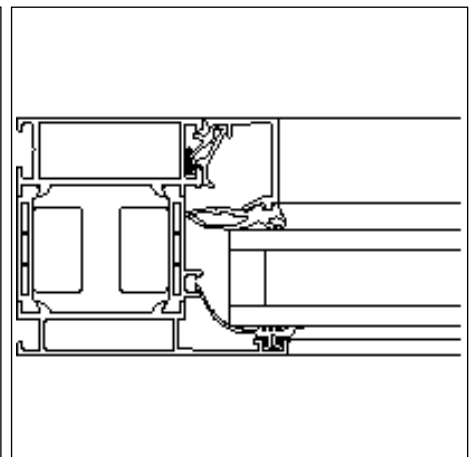
Drawing dwg (dwg/54 KB)



Fixed glazing with outer frame 69 mm face width

Drawing dxf (dxf/108 KB)

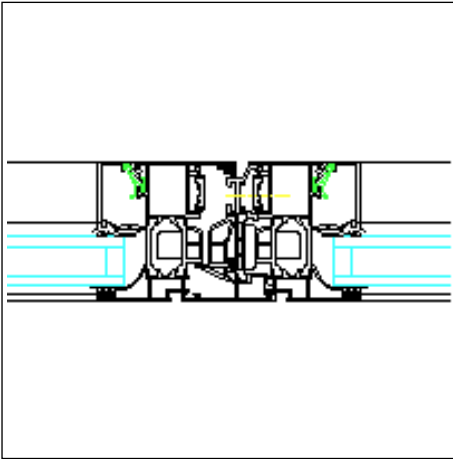
Drawing dwg (dwg/54 KB)



Fixed glazing with outer frame 79 mm face width

Drawing dxf (dxf/109 KB)

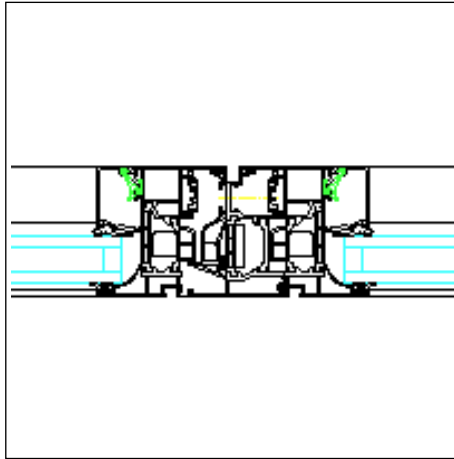
Drawing dwg (dwg/54 KB)



Meeting rail section detail

Drawing dxf (dxf/243 KB)

Drawing dwg (dwg/89 KB)



Meeting rail section detail

Drawing dxf (dxf/209 KB)

Drawing dwg (dwg/80 KB)