

FW 50+S: Çelik görünümlü tasarım sistemi

FW 50⁺ S, alüminyum konstrüksiyonun tüm sistem yararlarını taşımakla birlikte ince hatlı bir çelik görünümü elde etmede ideal bir sistemdir.



Zarif çelik görünümlü yapısı ince çift T ve T şekilli düşey profil ve yatay profiller kullanılarak elde edilebilir. Ek kapak profilleri gerektiğinde görünür vidalar ile yüksek teknoloji görünümü sunar.

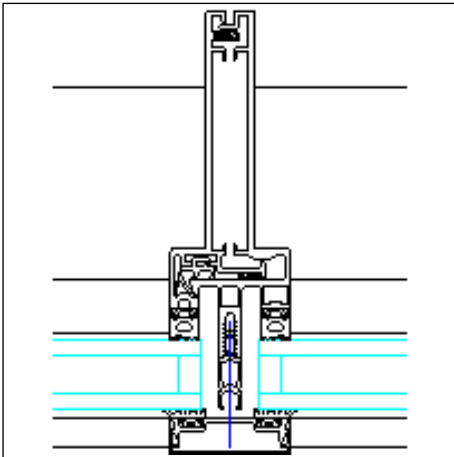
Schüco sistem FW 50⁺ S, FW 50⁺ ile birlikte kullanılabilir.

Tech. Information

Material	
Aluminium	
Type of construction	
Thermally insulated	
Security	
Burglar resistance DIN V ENV 1627 to 1630	WK 1 WK 2
Bullet resistance DIN EN 1522	FB 4
Façades	
Curtain walling	
Non-ventilated façades (mullion/transom)	
Ribbon window façade	
Further tests	
Air permeability DIN EN 12152	AE
Weathertightness DIN EN 12154	RE ₁₀₀₀
Measurement of sound insulation DIN EN 20140	

CAD-Drawings

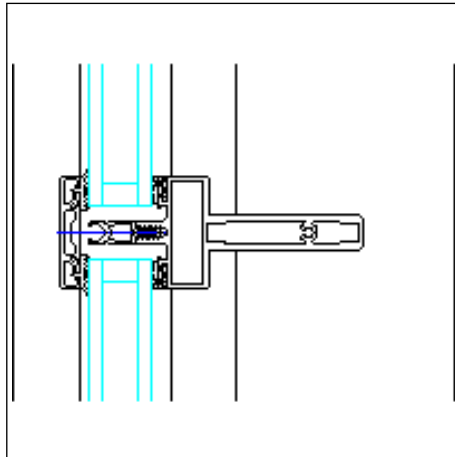
Mullion/transom FW50+ S



Unit joint (vertical) (T-shaped steel-look)

Drawing dxf (dxf/144 KB)

Drawing dwg (dwg/35 KB)

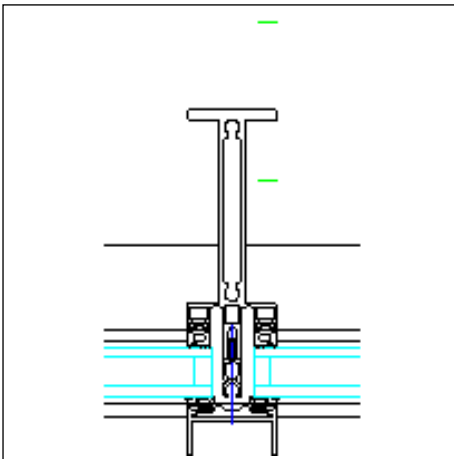


FW 50+S transom (for unit joint) (T-shaped steel-look)

Drawing dxf (dxf/97 KB)

Drawing dwg (dwg/24 KB)

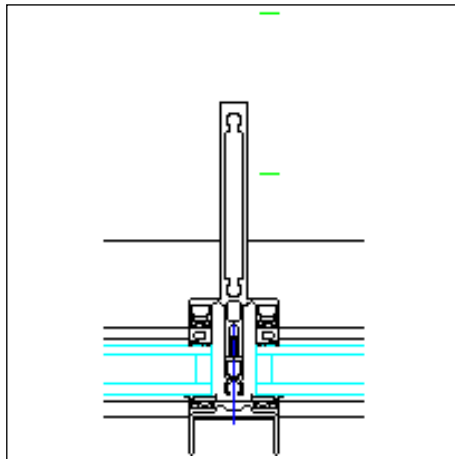
Mullion/transom FW50+ S



FW 50+S mullion (I-shaped steel-look)

Drawing dxf (dxf/119 KB)

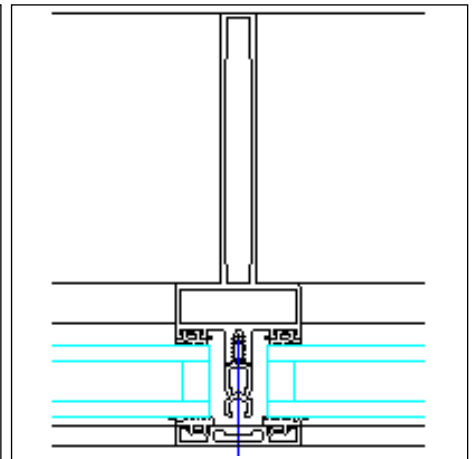
Drawing dwg (dwg/28 KB)



FW 50+S mullion (T-shaped steel-look)

Drawing dxf (dxf/119 KB)

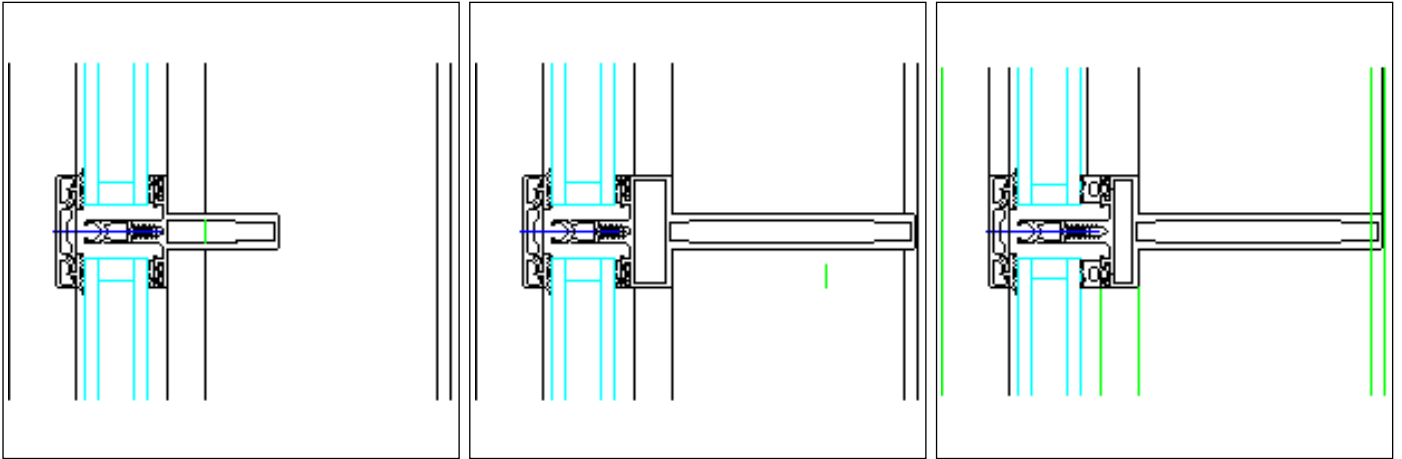
Drawing dwg (dwg/28 KB)



FW 50+S (T-shape) mullion from transom level 1

Drawing dxf (dxf/86 KB)

Drawing dwg (dwg/21 KB)



FW 50+S transom (T-shaped steel-lock)

Drawing dxf (dxf/85 KB)

Drawing dwg (dwg/21 KB)

FW 50+S transom (T-shaped steel-lock)

Drawing dxf (dxf/87 KB)

Drawing dwg (dwg/22 KB)

FW 50+S transom level 2 notched into mullion level 3

Drawing dxf (dxf/89 KB)

Drawing dwg (dwg/22 KB)