

## Schüco Dış Jaluzi Sistemi BEB 90 ZT Z-şekilli güneş kırıcı ve ray kılavuz ile



### Z-şekilli güneş kırıcı dış jaluzi sistemleri

Z-şekilli güneş kırıcı ve kılavuz rayına sahip BEB 90 ZT dış jaluzi sistemleri azami kararlılık ve azami güneş kırma imkanı sunar. Özel güneş kırıcı şekli ve güneş kırıcının köşesindeki conta bu dış jaluzi sisteminin karartma amacıyla kullanılabilmesini sağlar. Perdelerin tespit parçaları ve kılavuz raylardaki tokalı tertibat, imalatçı için taşıma işlemlerini önemli derecede basitleştirir.



### Detaylı mühendislik çözümleri

En uygun bıçak istifleme asgari dizi yüksekliği sağlar. Lamellerin merkezinde veya dönen bağların çubukları için delik halkalara ihtiyaç olmadığından dizi yüksekliği asgari seviyede tutulur.

### Kullanıcılara yararları

- **Güvenilirlik**  
Arttırılmış kararlılık ve güvenilir çalışma
- **Karartma**  
Fital çıtası
- **Zarif güneş kırma**  
Gizlenmiş vida donanımlı ara halkalar

### İmalatçılara yararları

- **Hızlı kurulum**  
Montaj çubuğu için tokalı teknoloji vasıtasıyla ve kılavuz rayı, perdelerin basit bir şekilde kenetlenmesi
- **Kolayca kaldırma**  
Üst ray kolayca kaldırılır;  
üst rayın montaj yönü sayesinde hızlı teşhis;  
Schüco pencereleri ve cepheleleri için tanımlı arabirim

### Tasarımcılara yararları

- **Esnek mekanizmalar,**  
montaj çubuğunun esnek bir şekilde pozisyonlanması ile



### **Tokalı bağlantı**

- Perdelerin hızlı bir şekilde ve kolayca montajı
- Montaj çubuğunun esnek pozisyonu
- Kolayca sökülür



### **Güneş kırıcı ve conta**

Bütünleşik conta ağızına sahip Z-şekilli güneş kırıcı geometrisi, bıçakların tamamen kapatılabilmesini sağlar. Bu kırıcıları, sesli/görsel sunumların yapılmasını sağlayacak şekilde odaların karartılması gerektiği durumlar için idealdir.



### **Alt ray**

Alt ray yataklara monte edilir ve ayrıca güneş kırıcılar kapatıldığında da döner. Bu da azami karartma yapılabilmesini sağlar.



### **Delikli halkalar ve basamaklı şeritler**

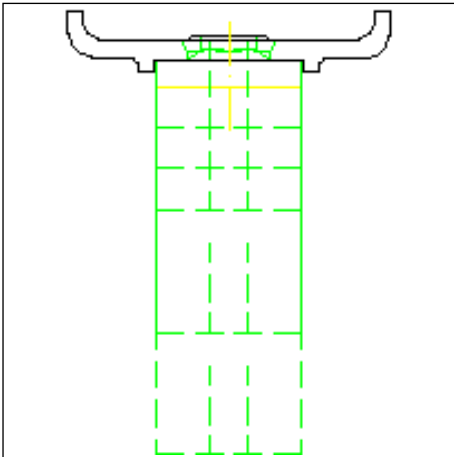
Halkalar bıçaklara, paslanmaz çelikten tokalarla sabitlenir. Güneş kırıcılar bu yüzden azami kapatma açısı sağlayacak şekilde hassas ve hizalı bir şekilde döndürülebilir.

## Tech. Information

<b>Material</b>	
<b>Aluminium</b>	
<b>Solar shading systems</b>	
<b>Austrian blinds</b>	

## CAD-Drawings

### Mounting plate



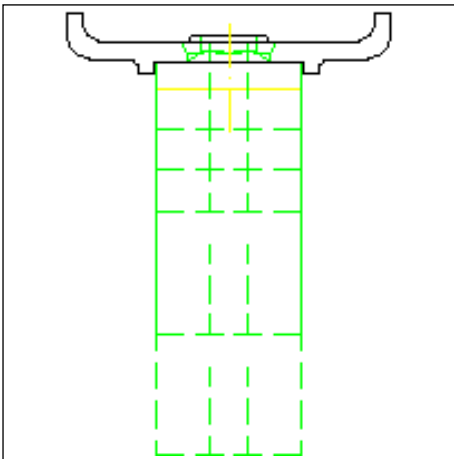
### Installation accessories Retaining clip /

#### FW 50+

Drawing dxf (dxf/63 KB)

Drawing dwg (dwg/40 KB)

### Mounting plate



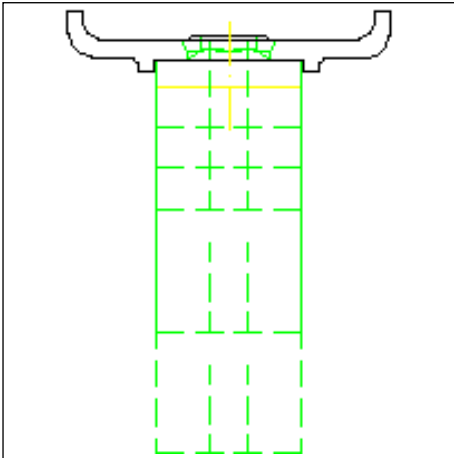
### Installation accessories Cable

#### tensioning bracket / FW 50+

Drawing dxf (dxf/63 KB)

Drawing dwg (dwg/40 KB)

## Mounting plate

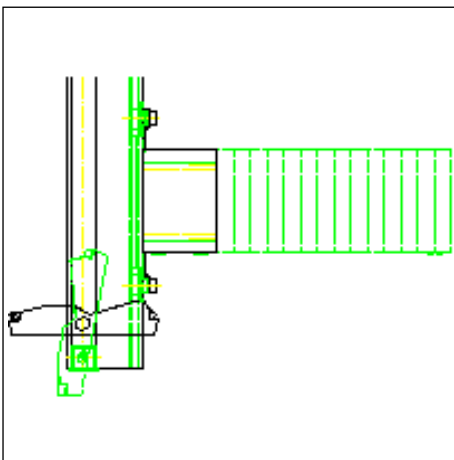


### Installation accessories Load-bearing support / FW 50+

Drawing dxf (dxf/63 KB)

Drawing dwg (dwg/40 KB)

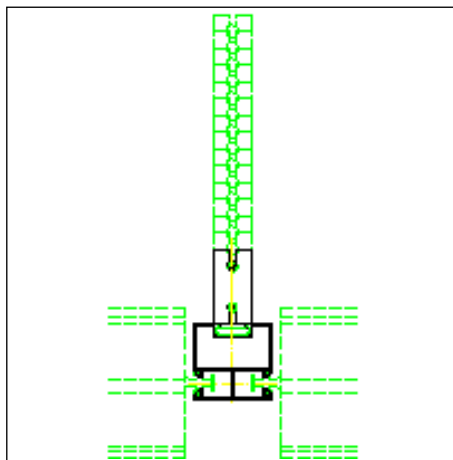
## Load-bearing support



### 871 0150...164 / vertical section LHa 40.....185 mm

Drawing dxf (dxf/236 KB)

Drawing dwg (dwg/81 KB)

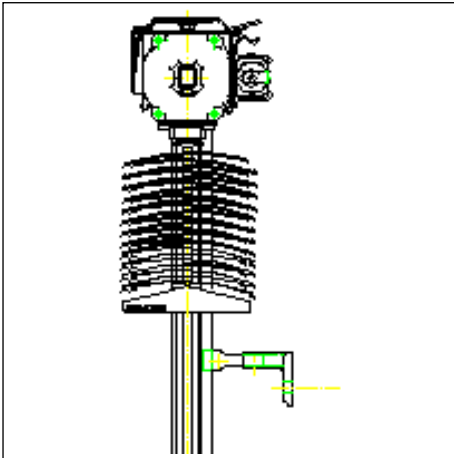


### 871 0150...164 / horizontal section LHa 40.....185 mm

Drawing dxf (dxf/302 KB)

Drawing dwg (dwg/129 KB)

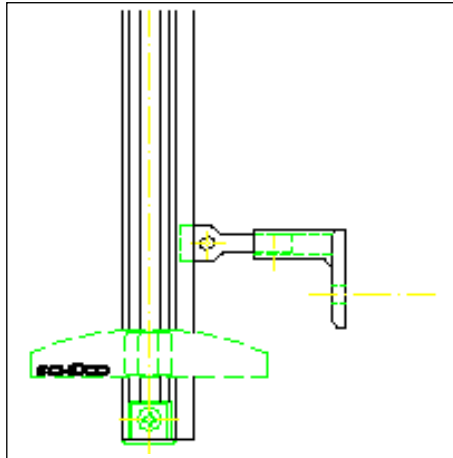
## Schüco BEB 80 RT



### External Blinds

Drawing dxf (dxf/296 KB)

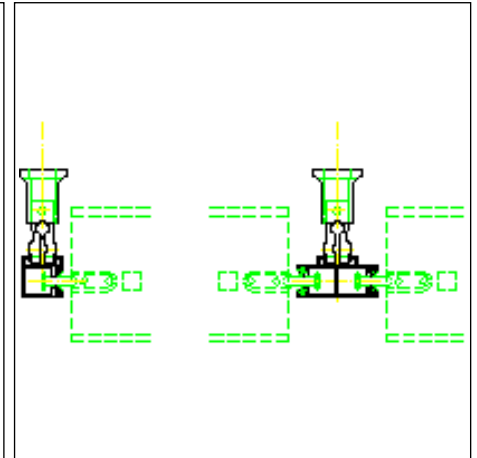
Drawing dwg (dwg/97 KB)



### Standard clip vertical section

Drawing dxf (dxf/137 KB)

Drawing dwg (dwg/61 KB)

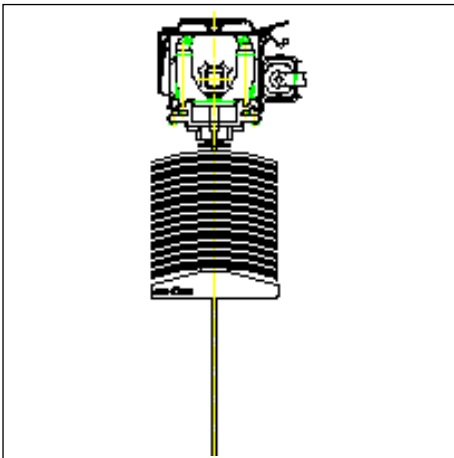


### Standard clip horizontal section

Drawing dxf (dxf/128 KB)

Drawing dwg (dwg/59 KB)

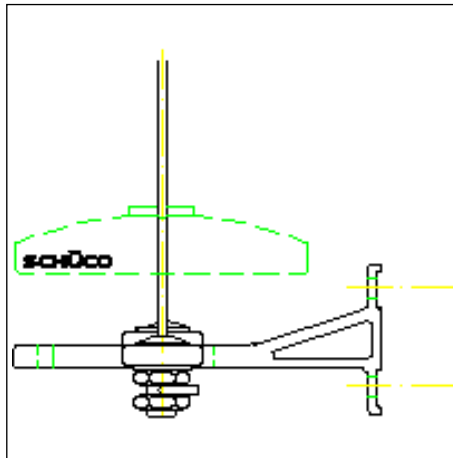
## Schüco BEB 80 FC



### External Blinds

Drawing dxf (dxf/337 KB)

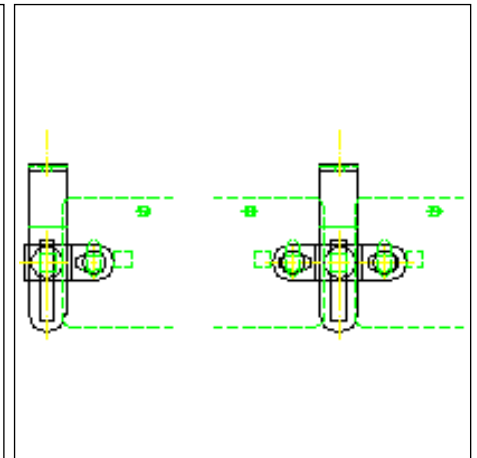
Drawing dwg (dwg/106 KB)



### Cable tensioning bracket vertical section

Drawing dxf (dxf/260 KB)

Drawing dwg (dwg/87 KB)

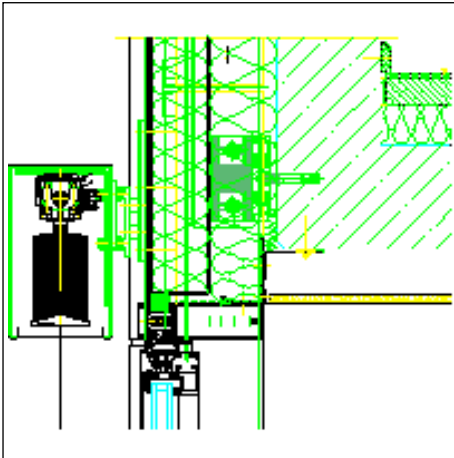


### Cable tensioning bracket horizontal section

Drawing dxf (dxf/117 KB)

Drawing dwg (dwg/59 KB)

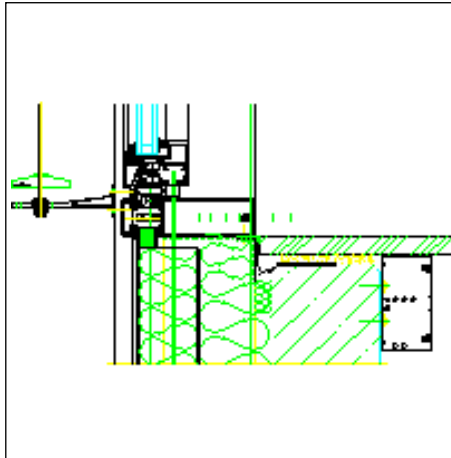
## Schüco BEB 80 FC >Façade ( FW 50+ )



**External Blinds, Type 4 U-shaped head box vertical section**

Drawing dxf (dxf/1.3 MB)

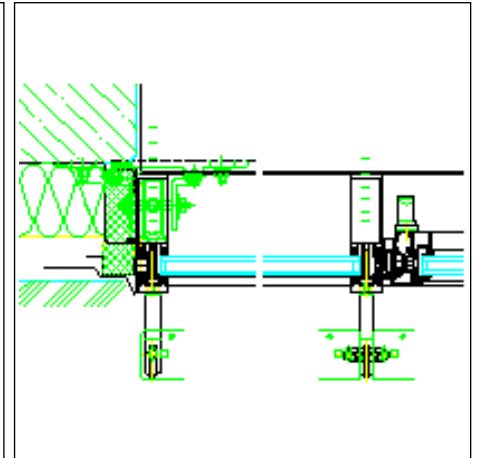
Drawing dwg (dwg/464 KB)



**Sill attachment Cable tensioning bracket / vertical section**

Drawing dxf (dxf/2.2 MB)

Drawing dwg (dwg/842 KB)

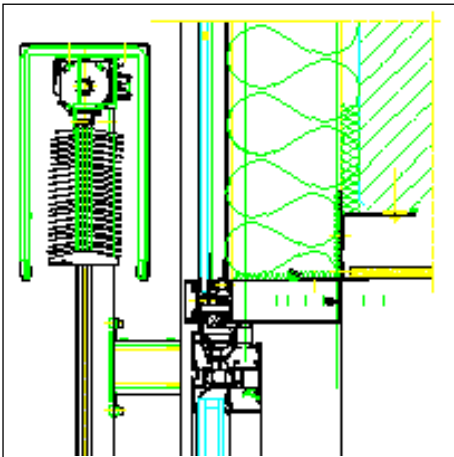


**Side wall attachment Cable tensioning bracket / horizontal section**

Drawing dxf (dxf/7 MB)

Drawing dwg (dwg/2.8 MB)

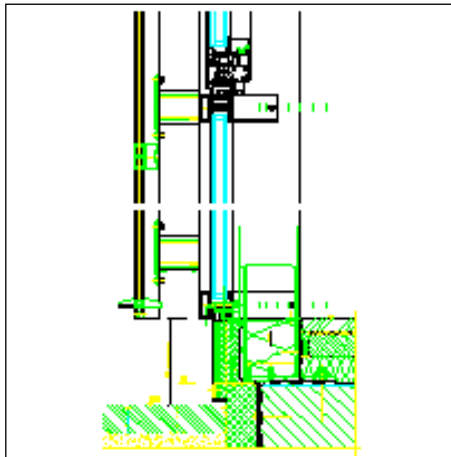
## Schüco BEB 80 RT >Façade ( FW 50+ )



**External Blinds, Type 4 U-shaped head box vertical section**

Drawing dxf (dxf/678 KB)

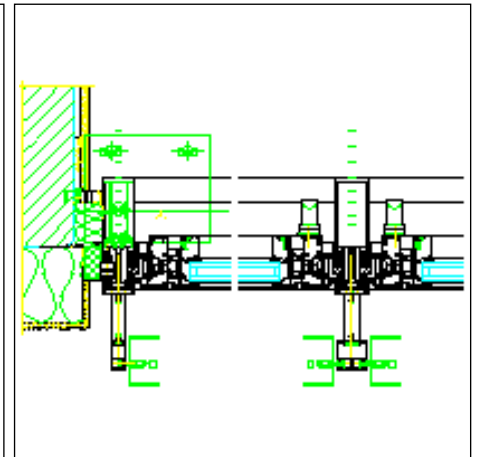
Drawing dwg (dwg/201 KB)



**Sill attachment Load-bearing support / vertical section**

Drawing dxf (dxf/581 KB)

Drawing dwg (dwg/183 KB)

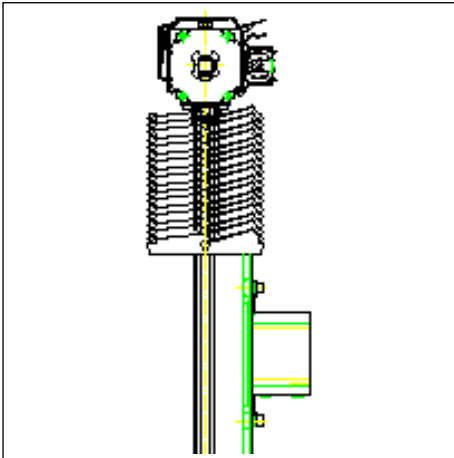


**Side wall attachment Single box guide rail / Double box guide rail horizontal section**

Drawing dxf (dxf/566 KB)

Drawing dwg (dwg/178 KB)

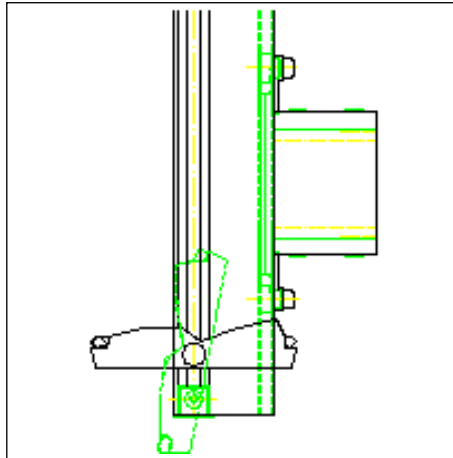
## Schüco BEB 90 ZT



### External Blinds

Drawing dxf (dxf/433 KB)

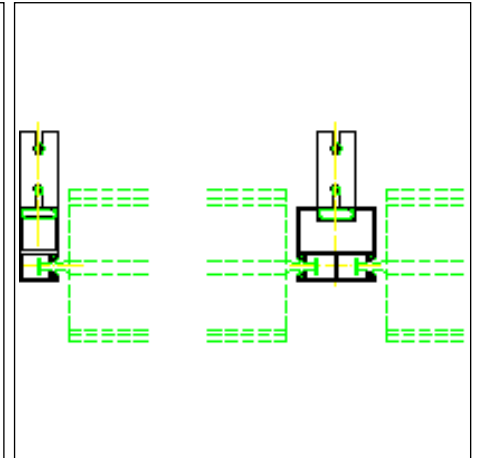
Drawing dwg (dwg/125 KB)



### Load-bearing support vertical section

Drawing dxf (dxf/231 KB)

Drawing dwg (dwg/80 KB)

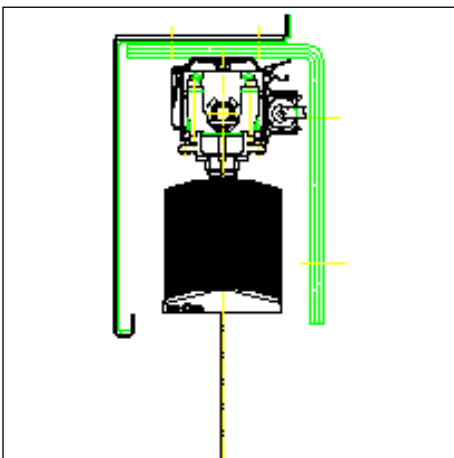


### Load-bearing support horizontal section

Drawing dxf (dxf/306 KB)

Drawing dwg (dwg/130 KB)

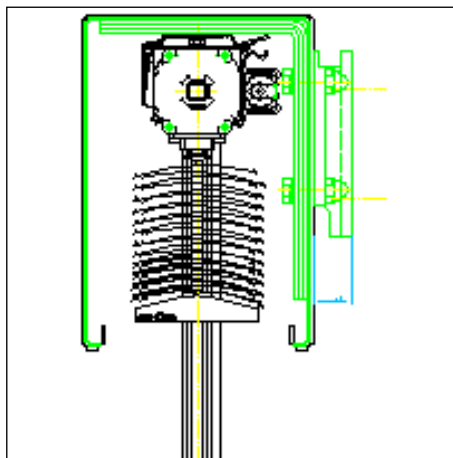
## Head boxes (example)



### Type 2 Angled head box with attachment edge at top

Drawing dxf (dxf/924 KB)

Drawing dwg (dwg/341 KB)



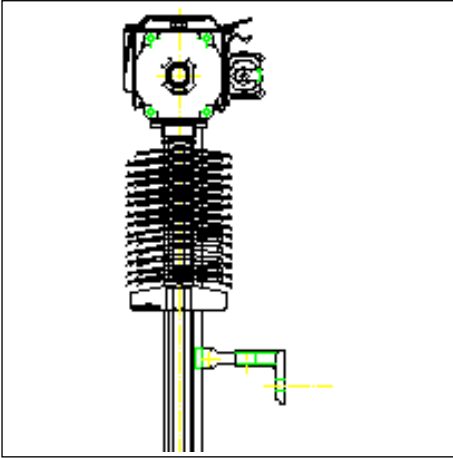
### Type 4 U-shaped head box

Drawing dxf (dxf/876 KB)

Drawing dwg (dwg/330 KB)



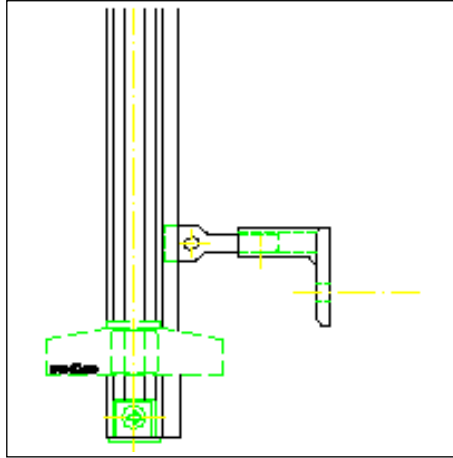
## Schüco BEB 60 RT



### External Blinds

Drawing dxf (dxf/309 KB)

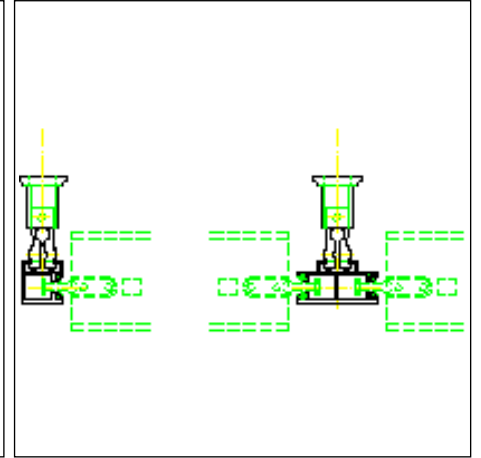
Drawing dwg (dwg/100 KB)



### Standard clip vertical section

Drawing dxf (dxf/136 KB)

Drawing dwg (dwg/61 KB)

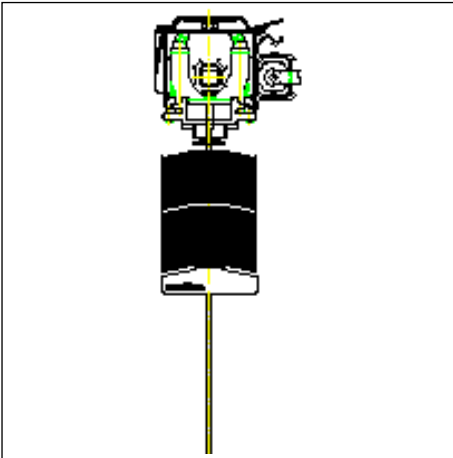


### Standard clip horizontal section

Drawing dxf (dxf/132 KB)

Drawing dwg (dwg/61 KB)

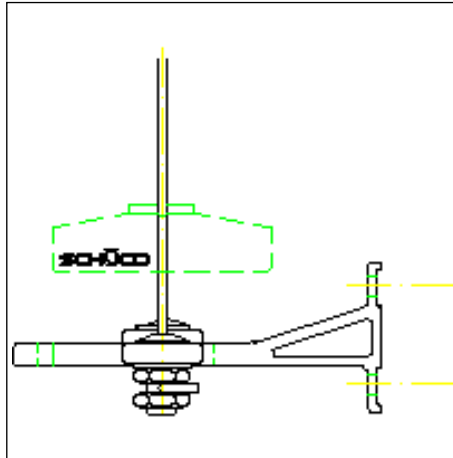
## Schüco BEB 60 FC



### External Blinds

Drawing dxf (dxf/402 KB)

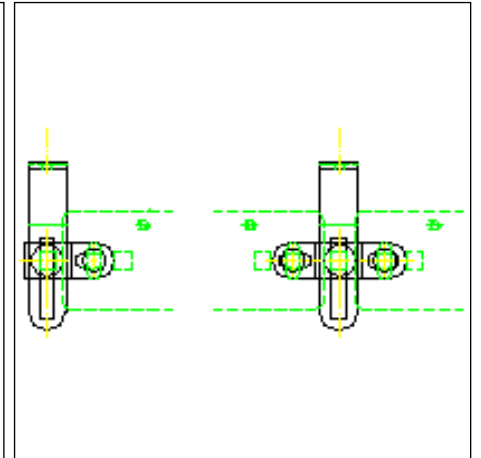
Drawing dwg (dwg/136 KB)



### Cable tensioning bracket vertical section

Drawing dxf (dxf/260 KB)

Drawing dwg (dwg/87 KB)

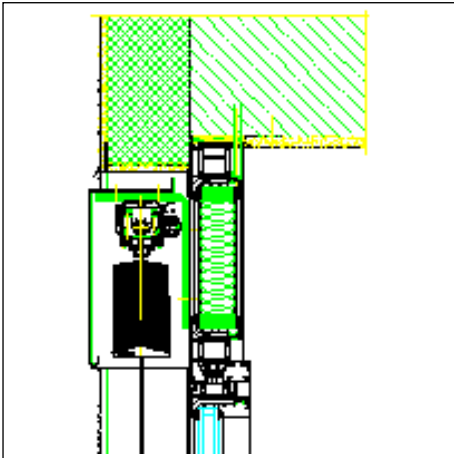


### Cable tensioning bracket horizontal section

Drawing dxf (dxf/117 KB)

Drawing dwg (dwg/57 KB)

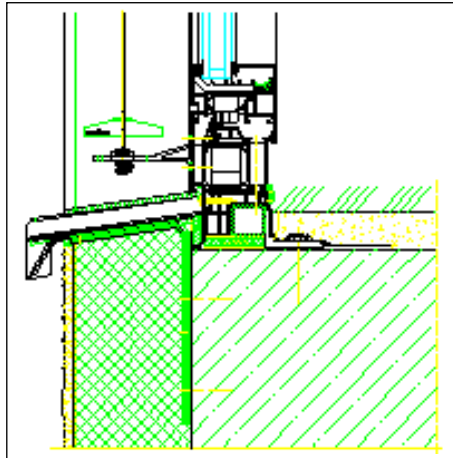
## Schüco BEB 80 FC >Window ( AWS 75.SI )



**External Blinds, Type 2 Angled head box with attachment edge at top**

Drawing dxf (dxf/1.3 MB)

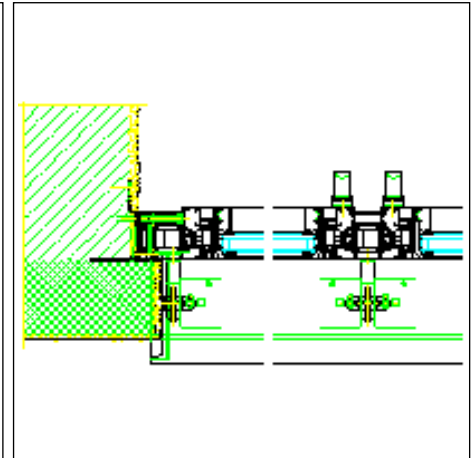
Drawing dwg (dwg/456 KB)



**Sill attachment Cable tensioning bracket / vertical section**

Drawing dxf (dxf/1.2 MB)

Drawing dwg (dwg/418 KB)

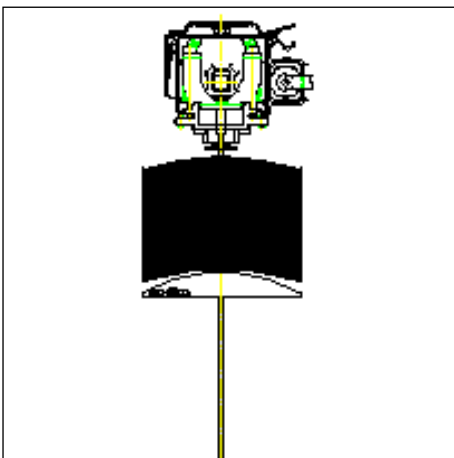


**Side wall attachment Cable tensioning bracket / horizontal section**

Drawing dxf (dxf/4.2 MB)

Drawing dwg (dwg/1.6 MB)

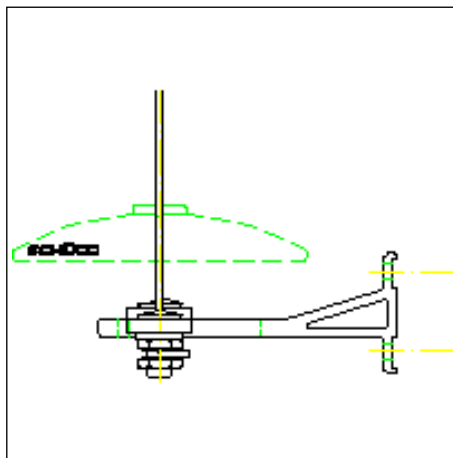
## Schüco BEB 100 FC



**External Blinds**

Drawing dxf (dxf/352 KB)

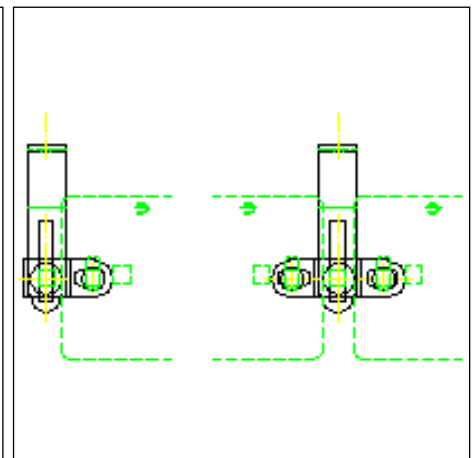
Drawing dwg (dwg/108 KB)



**Cable tensioning bracket vertical section**

Drawing dxf (dxf/258 KB)

Drawing dwg (dwg/86 KB)

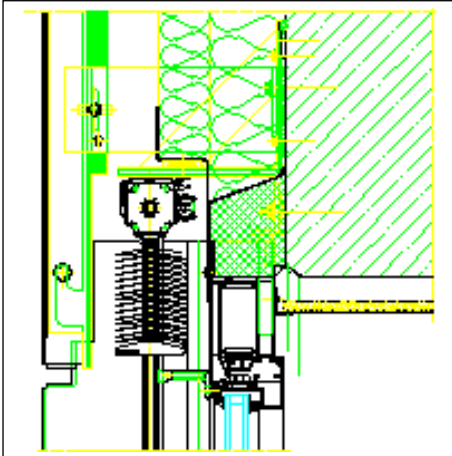


**Cable tensioning bracket horizontal section**

Drawing dxf (dxf/117 KB)

Drawing dwg (dwg/58 KB)

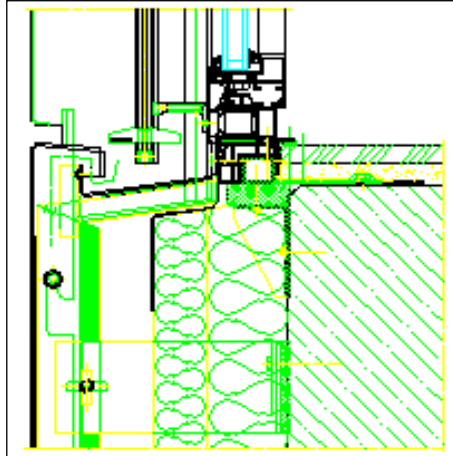
## Schüco BEB 80 RT >Window ( AWS 75 BS.HI )



**Attachment to ventilated façade (aluminium sheet) Raffstore / vertical section**

Drawing dxf (dxf/3.5 MB)

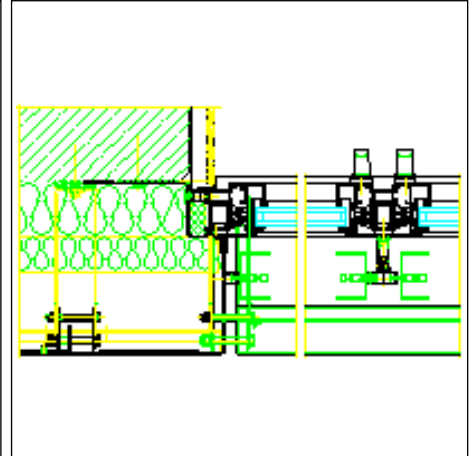
Drawing dwg (dwg/1.4 MB)



**Sill attachment Standard bracket / vertical section**

Drawing dxf (dxf/3.4 MB)

Drawing dwg (dwg/1.3 MB)

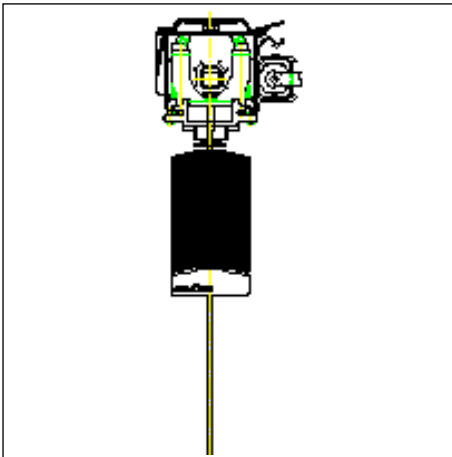


**Side wall attachment Inlet guide rail / Standard bracket horizontal section**

Drawing dxf (dxf/1.9 MB)

Drawing dwg (dwg/728 KB)

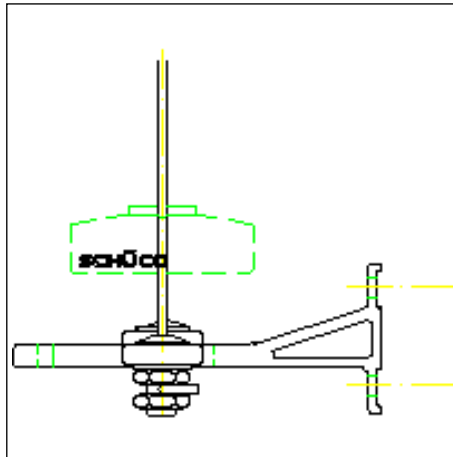
## Schüco BEB 50 FC



**External Blinds**

Drawing dxf (dxf/350 KB)

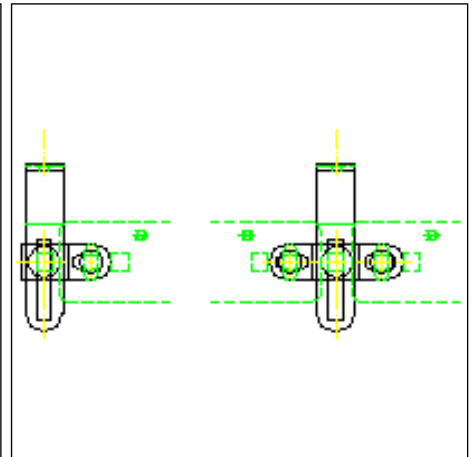
Drawing dwg (dwg/111 KB)



**Cable tensioning bracket vertical section**

Drawing dxf (dxf/261 KB)

Drawing dwg (dwg/87 KB)

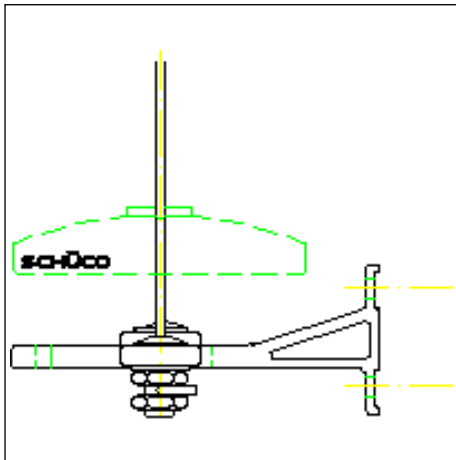


**Cable tensioning bracket horizontal section**

Drawing dxf (dxf/118 KB)

Drawing dwg (dwg/59 KB)

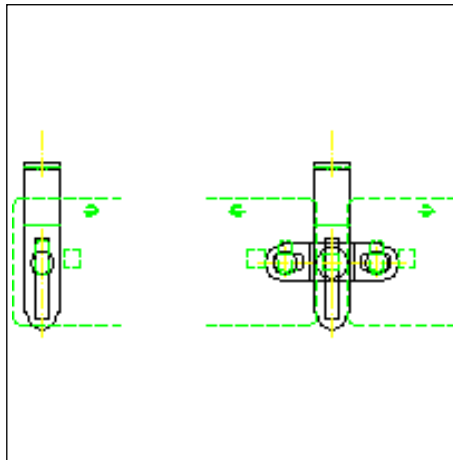
## Cable tensioning bracket



**881 0100 / vertical section x 50-90 mm / a 27 mm**

Drawing dxf (dxf/255 KB)

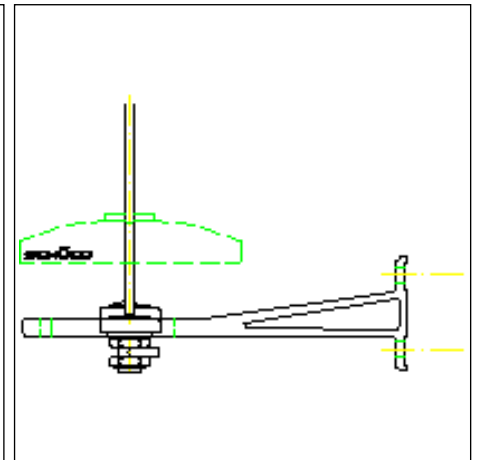
Drawing dwg (dwg/84 KB)



**881 0100 / horizontal section x 50-90 mm / a 27 mm**

Drawing dxf (dxf/93 KB)

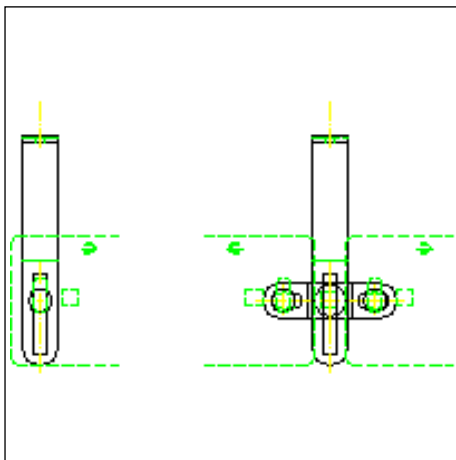
Drawing dwg (dwg/51 KB)



**881 0101 / vertical section x 88-128 mm / a 27 mm**

Drawing dxf (dxf/256 KB)

Drawing dwg (dwg/85 KB)

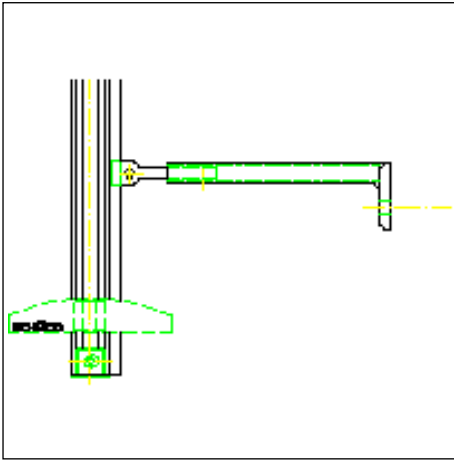


**881 0101 / horizontal section x 88-128 mm / a 27 mm**

Drawing dxf (dxf/89 KB)

Drawing dwg (dwg/49 KB)

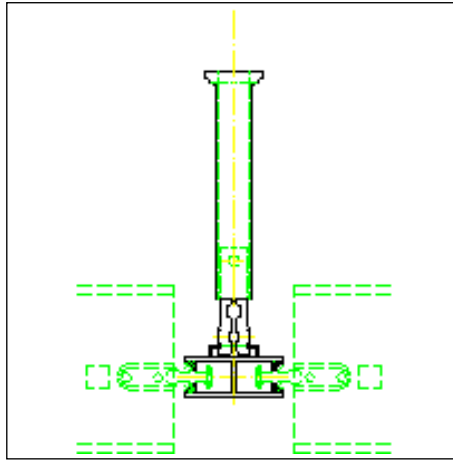
## Standard bracket



**871 0005 / vertical section LHa 118 - 131 mm**

Drawing dxf (dxf/132 KB)

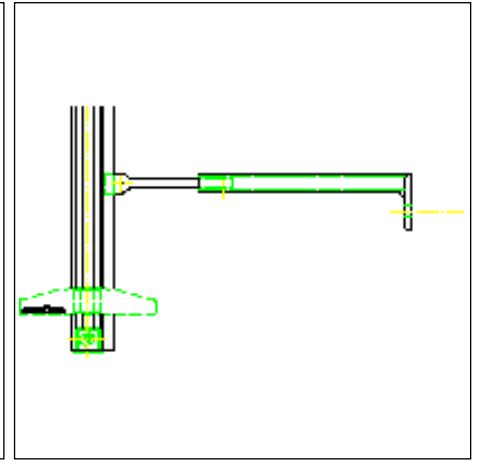
Drawing dwg (dwg/59 KB)



**871 0005 / horizontal section LHa 118 - 131 mm**

Drawing dxf (dxf/115 KB)

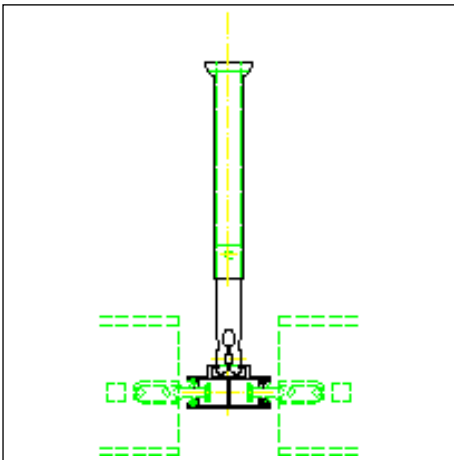
Drawing dwg (dwg/55 KB)



**871 0006 / vertical section LHa 132 - 175 mm**

Drawing dxf (dxf/225 KB)

Drawing dwg (dwg/90 KB)

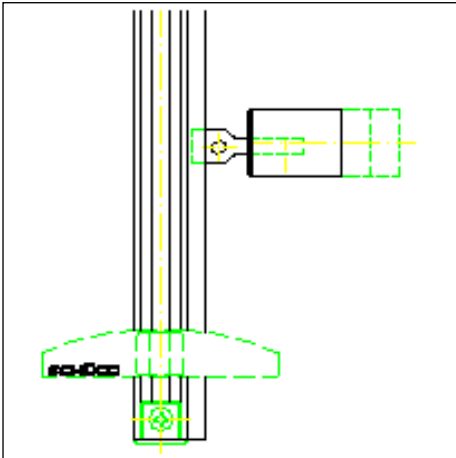


**871 0006 / horizontal section LHa 132 - 175 mm**

Drawing dxf (dxf/115 KB)

Drawing dwg (dwg/56 KB)

## Retaining clip

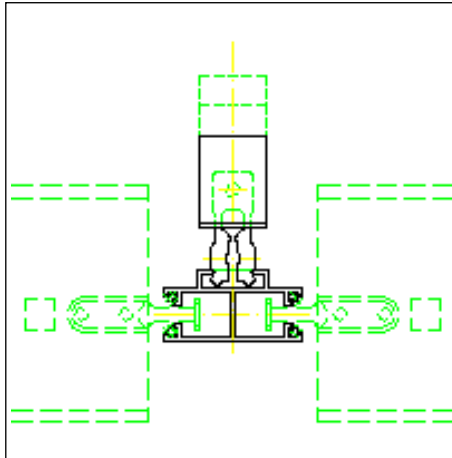


**871 0100...102 / vertical section LHa**

**40.....69 mm**

Drawing dxf (dxf/144 KB)

Drawing dwg (dwg/62 KB)

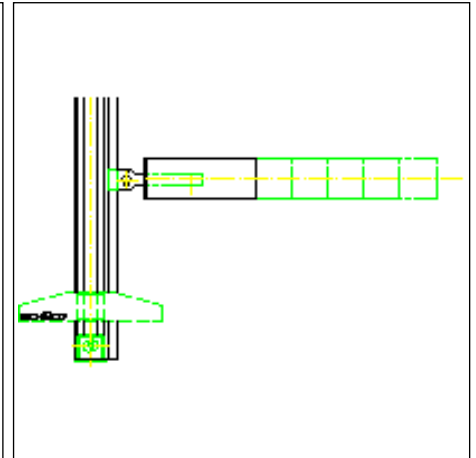


**871 0100...102 / horizontal section LHa**

**40.....69 mm**

Drawing dxf (dxf/122 KB)

Drawing dwg (dwg/58 KB)

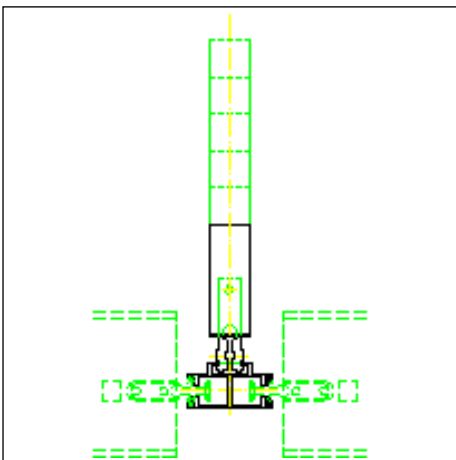


**871 0103...108 / vertical section LHa**

**70.....189 mm**

Drawing dxf (dxf/145 KB)

Drawing dwg (dwg/62 KB)



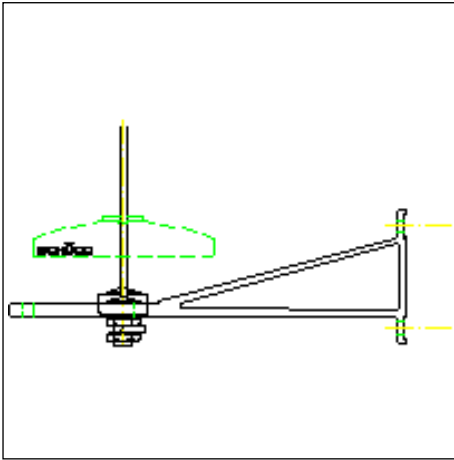
**871 0103...108 / horizontal section LHa**

**70.....189 mm**

Drawing dxf (dxf/166 KB)

Drawing dwg (dwg/66 KB)

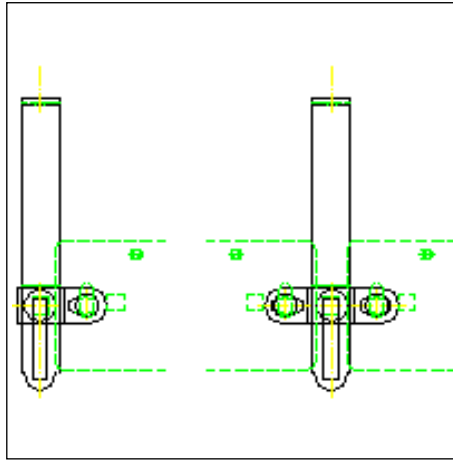
## Cable tensioning bracket



**881 0102 / vertical section x 125-165  
mm / a 45 mm**

Drawing dxf (dxf/256 KB)

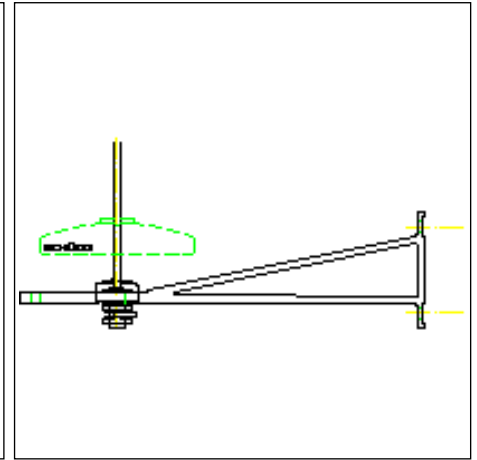
Drawing dwg (dwg/85 KB)



**881 0102 / horizontal section x 125-165  
mm / a 45 mm**

Drawing dxf (dxf/101 KB)

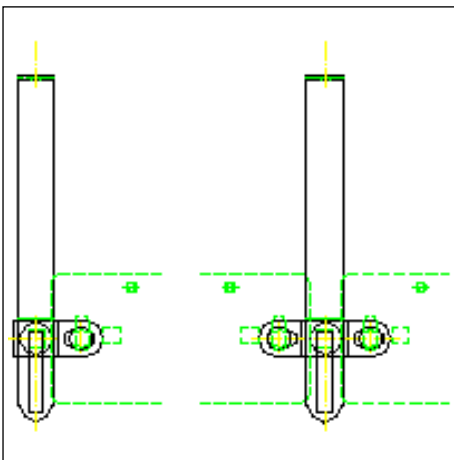
Drawing dwg (dwg/53 KB)



**881 0103 / vertical section x 160-200  
mm / a 45 mm**

Drawing dxf (dxf/257 KB)

Drawing dwg (dwg/86 KB)

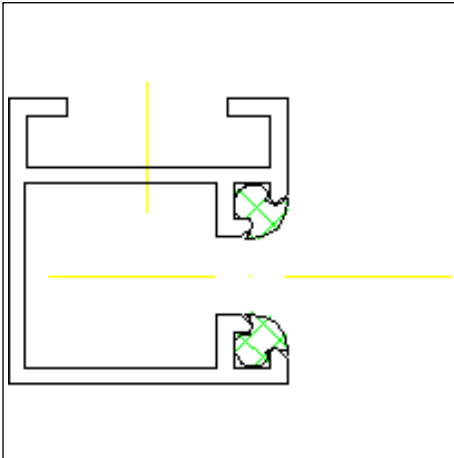


**881 0103 / horizontal section x 160-200  
mm / a 45 mm**

Drawing dxf (dxf/121 KB)

Drawing dwg (dwg/59 KB)

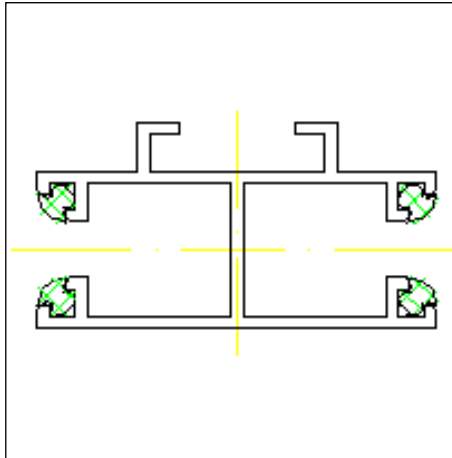
## Track guides



**Single guide rail (standard)**

Drawing dxf (dxf/57 KB)

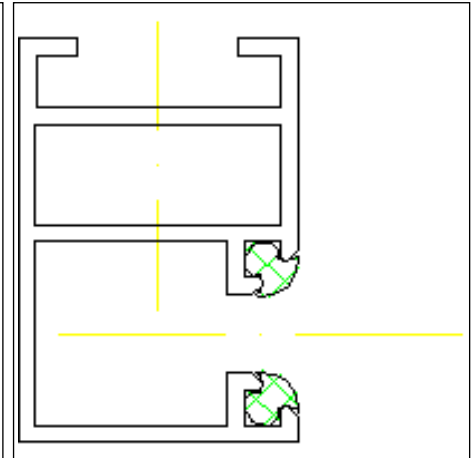
Drawing dwg (dwg/38 KB)



**Double guide rail (standard)**

Drawing dxf (dxf/78 KB)

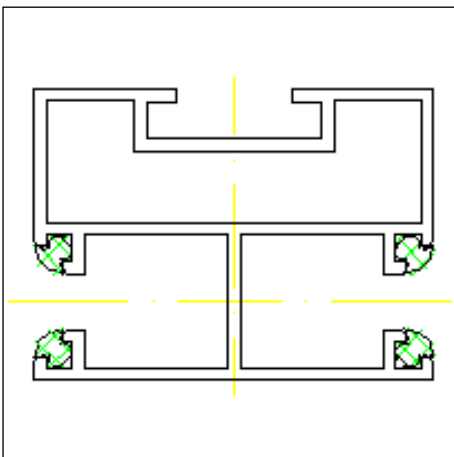
Drawing dwg (dwg/43 KB)



**Single box guide rail 25**

Drawing dxf (dxf/64 KB)

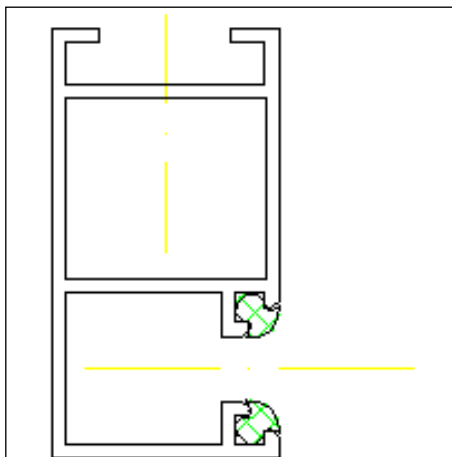
Drawing dwg (dwg/40 KB)



**Double box guide rail 25**

Drawing dxf (dxf/79 KB)

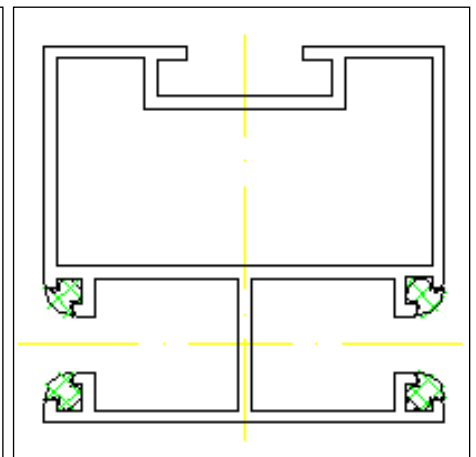
Drawing dwg (dwg/43 KB)



**Single box guide rail 35**

Drawing dxf (dxf/64 KB)

Drawing dwg (dwg/39 KB)



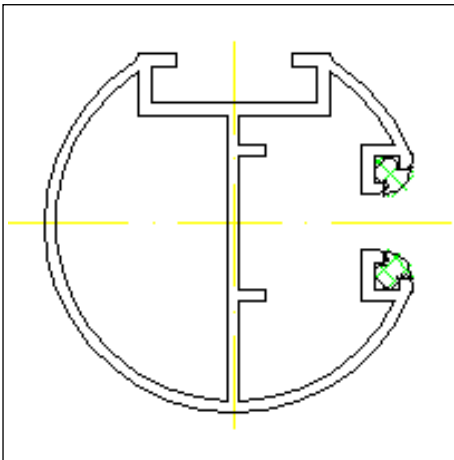
**Double box guide rail 35**

Drawing dxf (dxf/80 KB)

Drawing dwg (dwg/43 KB)



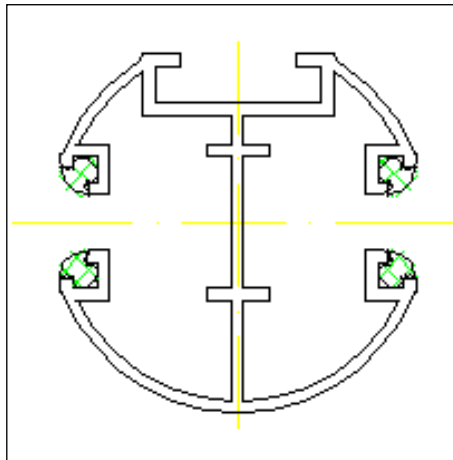
## Track guides



**Single round guide rail Ø 45 mm**

Drawing dxf (dxf/67 KB)

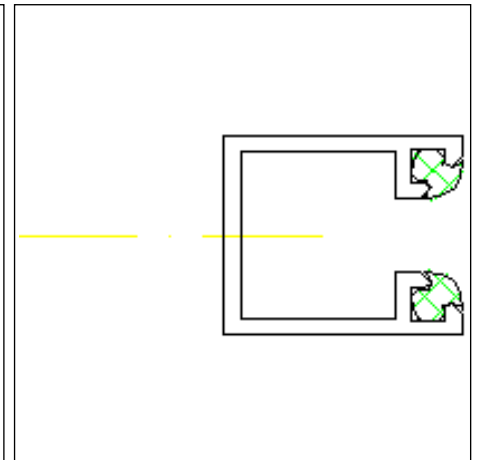
Drawing dwg (dwg/40 KB)



**Double round guide rail Ø 45 mm**

Drawing dxf (dxf/84 KB)

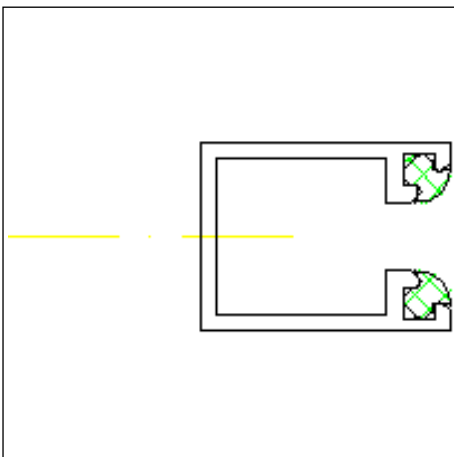
Drawing dwg (dwg/44 KB)



**Inlet guide rail 21 (standard)**

Drawing dxf (dxf/60 KB)

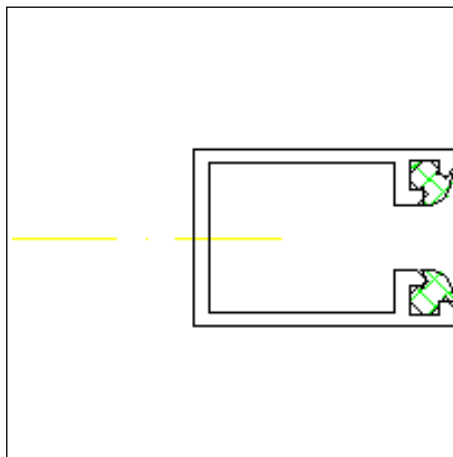
Drawing dwg (dwg/39 KB)



**Inlet guide rail 24**

Drawing dxf (dxf/60 KB)

Drawing dwg (dwg/39 KB)

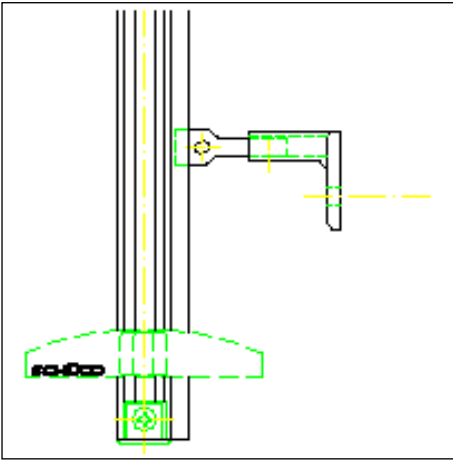


**Inlet guide rail 26**

Drawing dxf (dxf/60 KB)

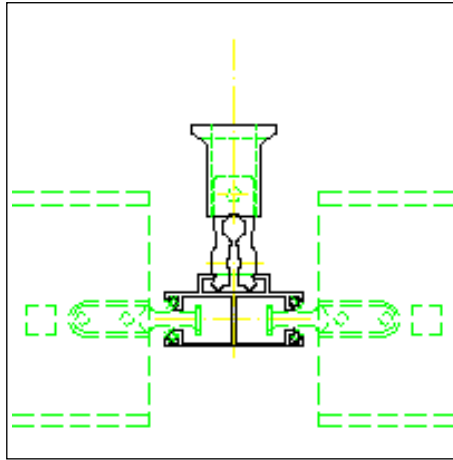
Drawing dwg (dwg/39 KB)

## Standard bracket



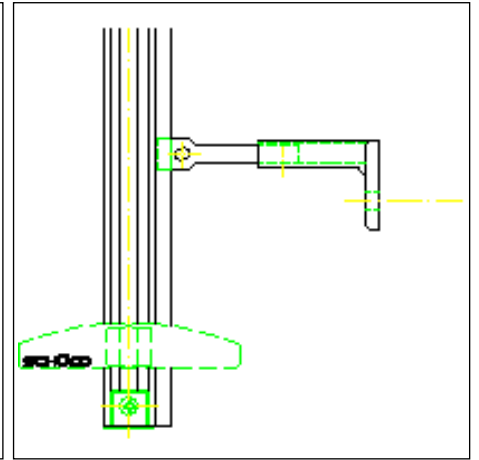
**871 0001 / vertical section LHa 40 - 51 mm**

Drawing dxf (dxf/132 KB)  
Drawing dwg (dwg/59 KB)



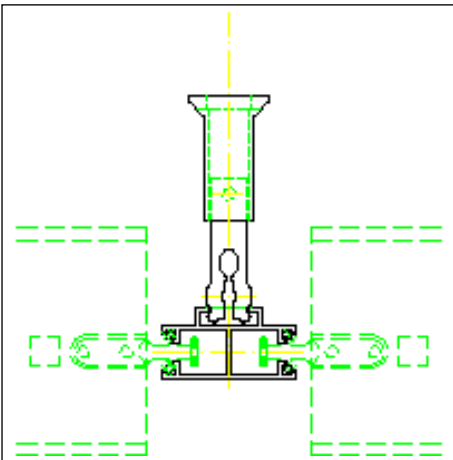
**871 0001 / horizontal section LHa 40 - 51 mm**

Drawing dxf (dxf/115 KB)  
Drawing dwg (dwg/56 KB)



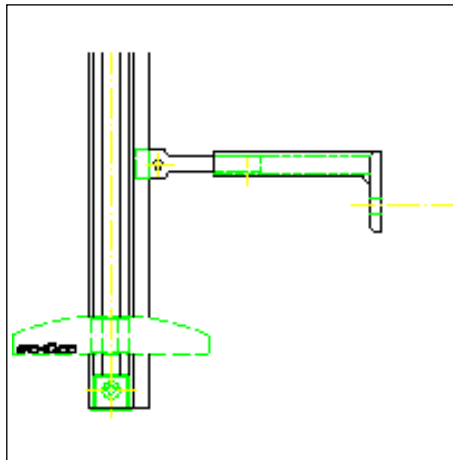
**871 0002 / vertical section LHa 52 - 75 mm**

Drawing dxf (dxf/132 KB)  
Drawing dwg (dwg/59 KB)



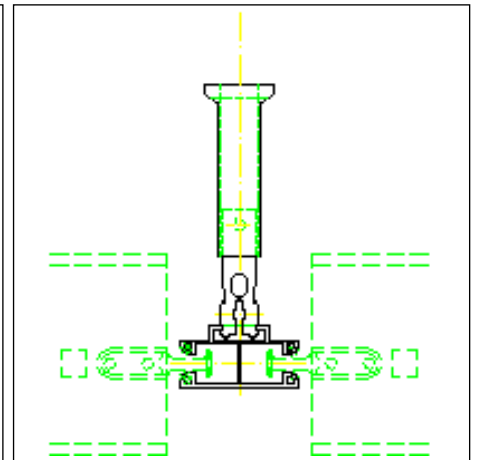
**871 0002 / horizontal section LHa 52 - 75 mm**

Drawing dxf (dxf/115 KB)  
Drawing dwg (dwg/55 KB)



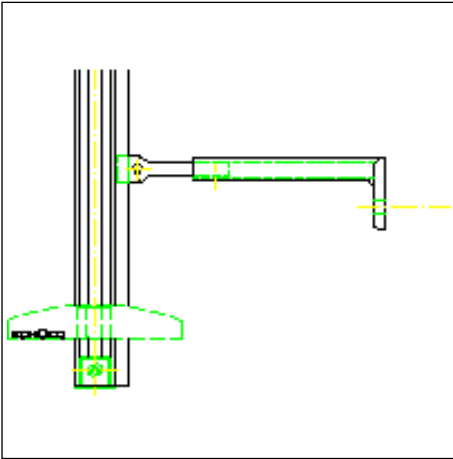
**871 0003 / vertical section LHa 76 - 95 mm**

Drawing dxf (dxf/132 KB)  
Drawing dwg (dwg/59 KB)



**871 0003 / horizontal section LHa 76 - 95 mm**

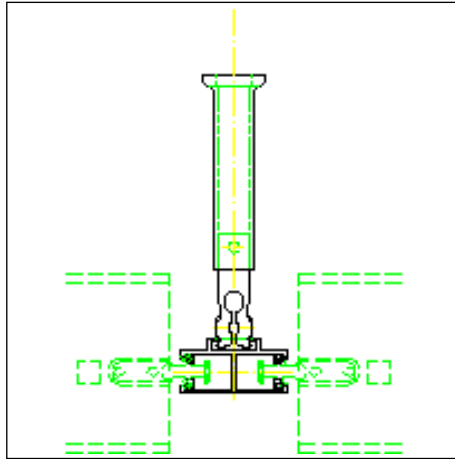
Drawing dxf (dxf/114 KB)  
Drawing dwg (dwg/55 KB)



**871 0004 / vertical section LHa 96 - 117 mm**

Drawing dxf (dxf/295 KB)

Drawing dwg (dwg/109 KB)



**871 0004 / horizontal section LHa 96 - 117 mm**

Drawing dxf (dxf/115 KB)

Drawing dwg (dwg/56 KB)