

Flanşlı güneş kırıncılı ve kılavuz raylı Schüco Dış Jaluzi Sistemi BEB 60 / 80 RT Dış jaluzi sistemi



Flanşlı güneş kırıncılı dış jaluzi sistemleri

Flanşlı güneş kırıncılı ve kılavuz raylı yeni BEB 60/80 RT dış jaluzi sistemleri maksimum kararlılık ve en uygun gölgelemeyi sunar. BEB, 60 veya 80 mm bıçak genişlikleri seçeneklerine sahip Dış Jaluzi Sistemi anlamına gelir.

Flanşlı güneş kırıncı (R = yuvarlatılmış) elektrikle çalışır ve raylar üzerinde hareket eder (T = ray). Kaldırma bantı ve basamaklı şerit bıçağın köşesinde yer alır ve zarif bir görünüm ve parlamaya karşı arttırılmış bir koruma sağlar.

BEB dış jaluzi sistemleri sadece kullanıcıya ek yararlar sağlamakla kalmaz, ayrıca imalatçı için taşıma işlemlerini de önemli derecede iyileştirir. Toka düzeneği kurulumu basitleştirir ve küçük boy güneş kırıncı dizisi sadece asgari bir kurulum alanı gerektirir.



Detaylı mühendislik çözümleri

Asgari dizi yüksekliği, kırıncıların dengeli bir şekilde istiflenmesi, kılavuz memenin yeri ve meme uçlarının yerden tasarruf sağlayan tasarımı ile elde edilir. Dizi konfigürasyonu, alttaki rayın özellikle dar bir şekilde tasarlanması ile azaltılır.

Kullanıcılara yararları

- Köşelerdeki presli delikler ve iyileştirilmiş kapatma açısı sayesinde **iyileştirilmiş gölgeleme**
- Arttırılmış kararlılık ve güvenilir çalışma eşliğinde **güneş kırma ve perdeleme**
- Yeni görünümü sayesinde **zarif güneş kırma**; gizli vida donanımlı ara halkalar

İmalatçılara yararları

- Montaj çubuğuna yönelik tokalı teknoloji vasıtasıyla **hızlı kurulum**, ve kılavuz rayı
- **Kolayca kaldırma** Üst ray kolayca kaldırılır; üst rayın montaj yönü ile hızlı teşhis; Schüco pencere ve cephe sistemleri için tanımlı arabirim

Tasarımcılara yararları

- **Asgari kurulum alanı**, asgari dizi yüksekliği sayesinde
- **Esnek mekanizmalar**, montaj çubuğunun esnek bir şekilde pozisyonlanması ile



Tokalı bağlantı

- Perdelerin hızlı bir şekilde ve kolayca montajı
- Montaj çubuğunun esnek pozisyonu
- Kolayca sökülür



Kılavuz memeli bıçak

- Daha fazla kararlılık ve yatak merkezleri arasında daha büyük mesafeler için çok yüksek sertlikte flanş köşesi ile birlikte yüksek bıçak eğriliği
- Düz kaldırma bantlı delik halkalar vasıtasıyla burun parçasına bağlantı
- Köşedeki presli delikler sayesinde azami gölgeleme
- Kapatma açısı 73°
- Dengeli istifleme ve meme kafalarının şekli sayesinde asgari dizi yüksekliği



Tutma tokalı kılavuz rayı

- Görünür vida donanımı olmayan tutma tokası
- Tokalar anotlanabilir ve toz boya ile uygulanabilir
- Schüco pencereleri ve cephelerine sistem arabirimi
- Çeşitli kılavuz ray seçenekleri

Tech. Information

Material

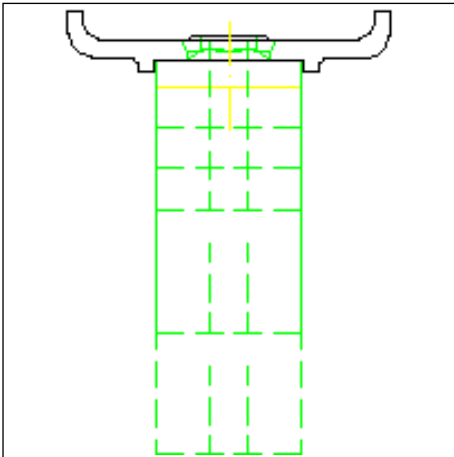
Aluminium

Solar shading systems

Austrian blinds

CAD-Drawings

Mounting plate



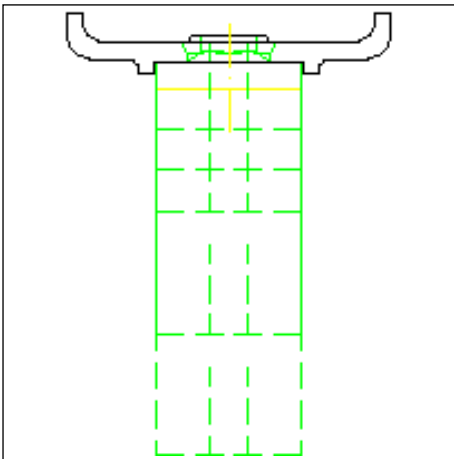
Installation accessories Retaining clip /

FW 50+

Drawing dxf (dxf/63 KB)

Drawing dwg (dwg/40 KB)

Mounting plate



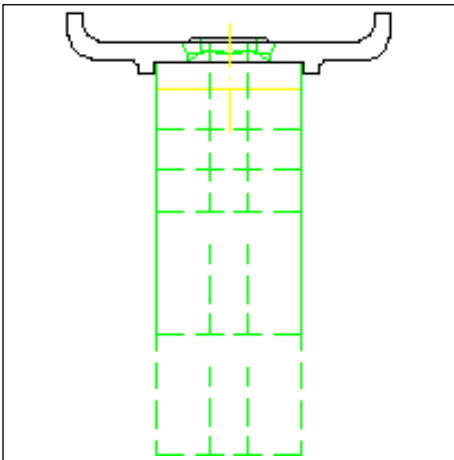
Installation accessories Cable

tensioning bracket / FW 50+

Drawing dxf (dxf/63 KB)

Drawing dwg (dwg/40 KB)

Mounting plate

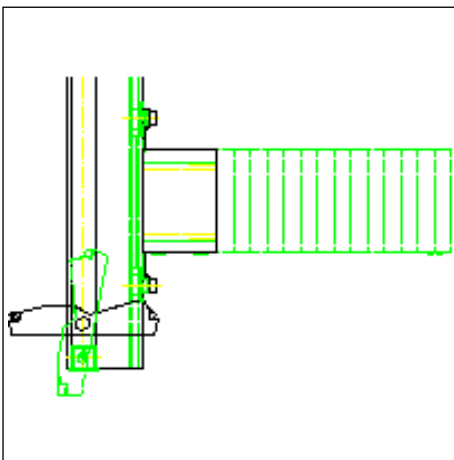


Installation accessories Load-bearing support / FW 50+

Drawing dxf (dxf/63 KB)

Drawing dwg (dwg/40 KB)

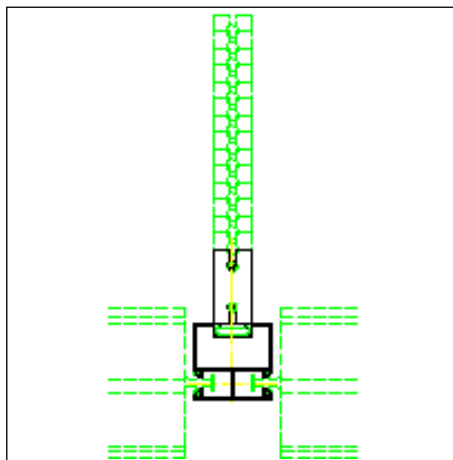
Load-bearing support



871 0150...164 / vertical section LHa 40.....185 mm

Drawing dxf (dxf/236 KB)

Drawing dwg (dwg/81 KB)

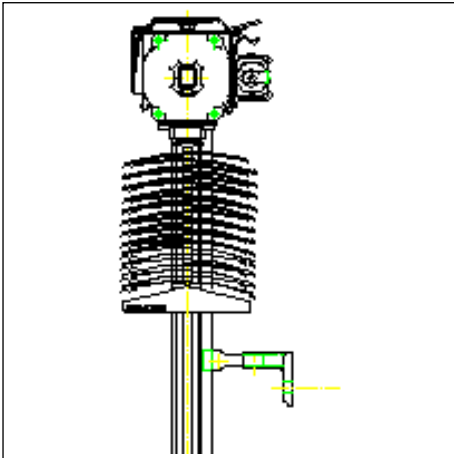


871 0150...164 / horizontal section LHa 40.....185 mm

Drawing dxf (dxf/302 KB)

Drawing dwg (dwg/129 KB)

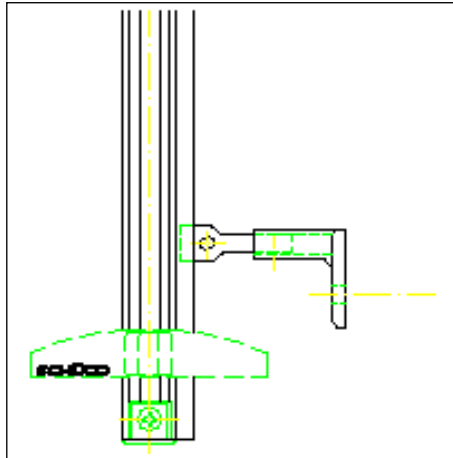
Schüco BEB 80 RT



External Blinds

Drawing dxf (dxf/296 KB)

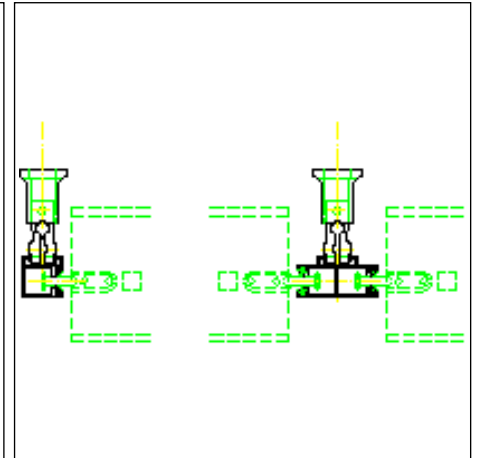
Drawing dwg (dwg/97 KB)



Standard clip vertical section

Drawing dxf (dxf/137 KB)

Drawing dwg (dwg/61 KB)

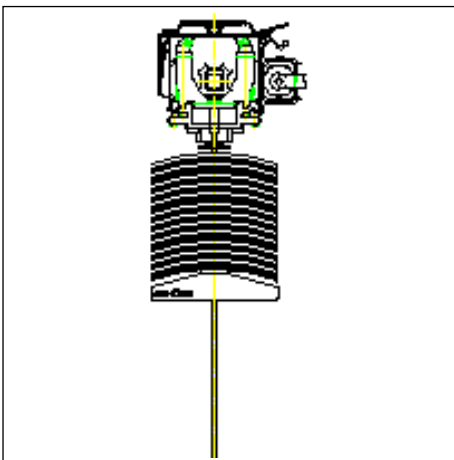


Standard clip horizontal section

Drawing dxf (dxf/128 KB)

Drawing dwg (dwg/59 KB)

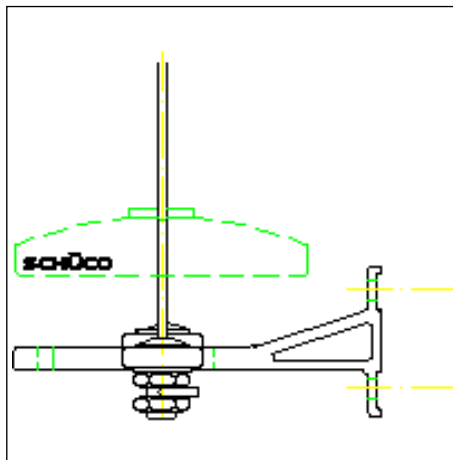
Schüco BEB 80 FC



External Blinds

Drawing dxf (dxf/337 KB)

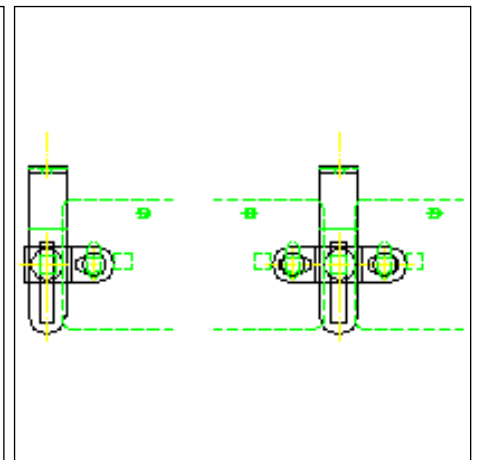
Drawing dwg (dwg/106 KB)



Cable tensioning bracket vertical section

Drawing dxf (dxf/260 KB)

Drawing dwg (dwg/87 KB)

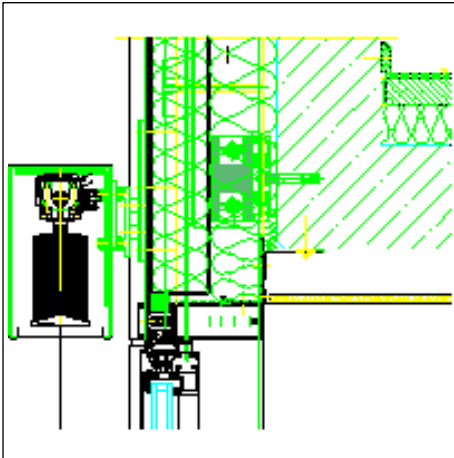


Cable tensioning bracket horizontal section

Drawing dxf (dxf/117 KB)

Drawing dwg (dwg/59 KB)

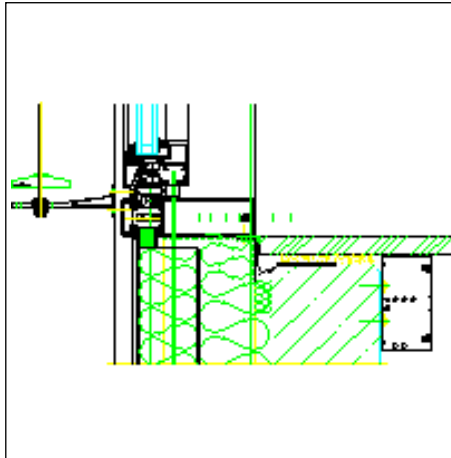
Schüco BEB 80 FC >Façade (FW 50+)



External Blinds, Type 4 U-shaped head box vertical section

Drawing dxf (dxf/1.3 MB)

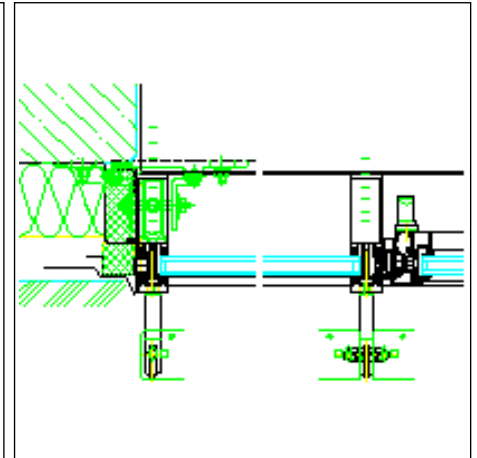
Drawing dwg (dwg/464 KB)



Sill attachment Cable tensioning bracket / vertical section

Drawing dxf (dxf/2.2 MB)

Drawing dwg (dwg/842 KB)

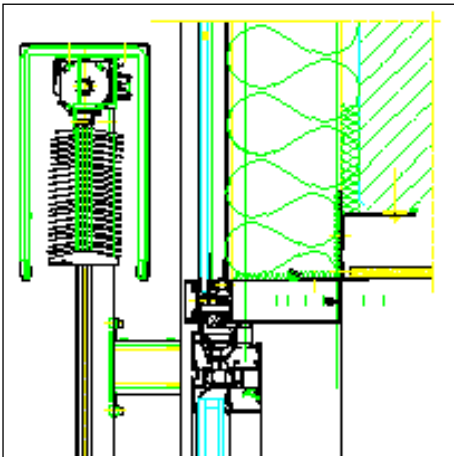


Side wall attachment Cable tensioning bracket / horizontal section

Drawing dxf (dxf/7 MB)

Drawing dwg (dwg/2.8 MB)

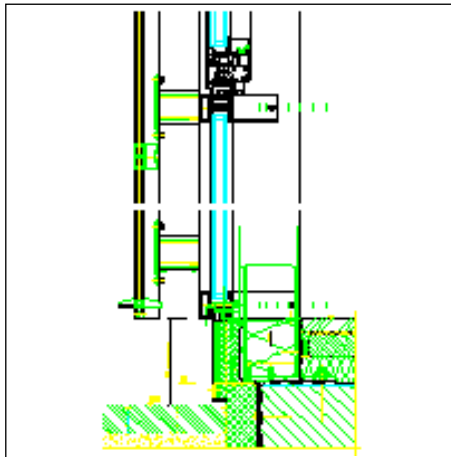
Schüco BEB 80 RT >Façade (FW 50+)



External Blinds, Type 4 U-shaped head box vertical section

Drawing dxf (dxf/678 KB)

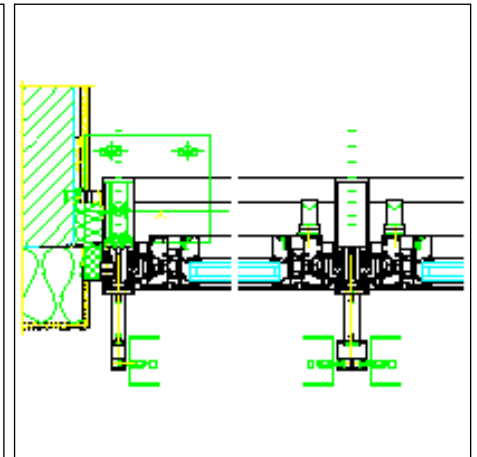
Drawing dwg (dwg/201 KB)



Sill attachment Load-bearing support / vertical section

Drawing dxf (dxf/581 KB)

Drawing dwg (dwg/183 KB)

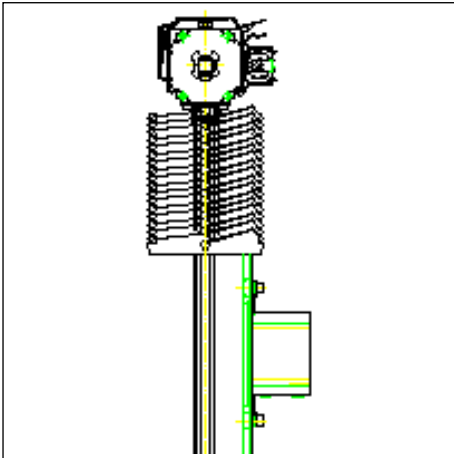


Side wall attachment Single box guide rail / Double box guide rail horizontal section

Drawing dxf (dxf/566 KB)

Drawing dwg (dwg/178 KB)

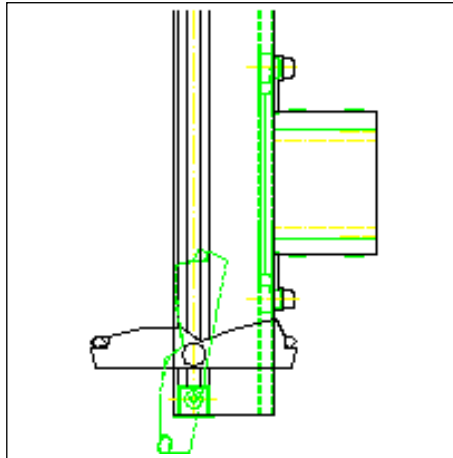
Schüco BEB 90 ZT



External Blinds

Drawing dxf (dxf/433 KB)

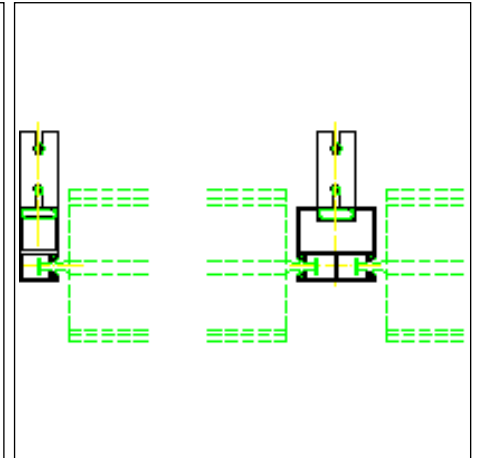
Drawing dwg (dwg/125 KB)



Load-bearing support vertical section

Drawing dxf (dxf/231 KB)

Drawing dwg (dwg/80 KB)

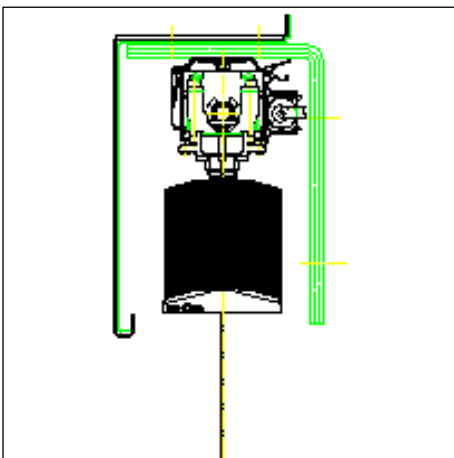


Load-bearing support horizontal section

Drawing dxf (dxf/306 KB)

Drawing dwg (dwg/130 KB)

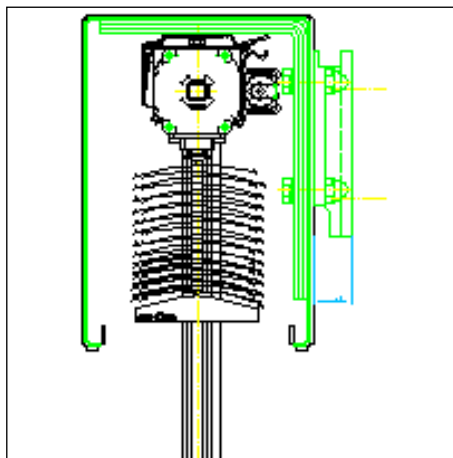
Head boxes (example)



Type 2 Angled head box with attachment edge at top

Drawing dxf (dxf/924 KB)

Drawing dwg (dwg/341 KB)

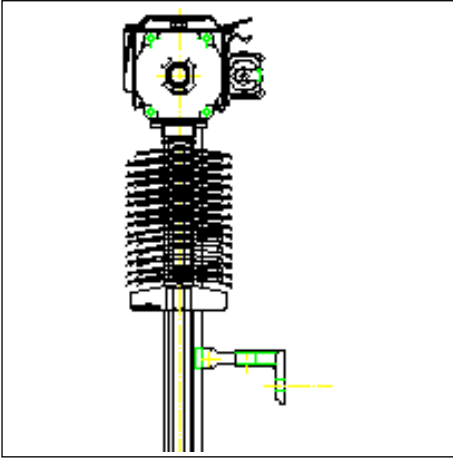


Type 4 U-shaped head box

Drawing dxf (dxf/876 KB)

Drawing dwg (dwg/330 KB)

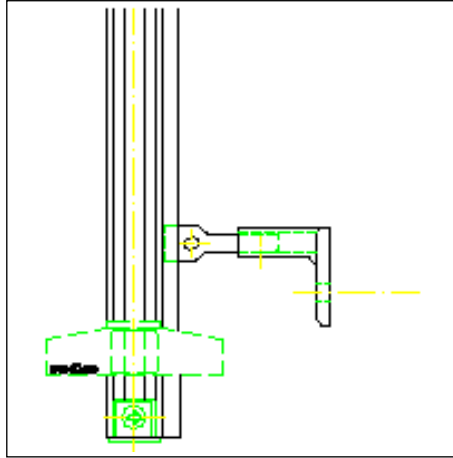
Schüco BEB 60 RT



External Blinds

Drawing dxf (dxf/309 KB)

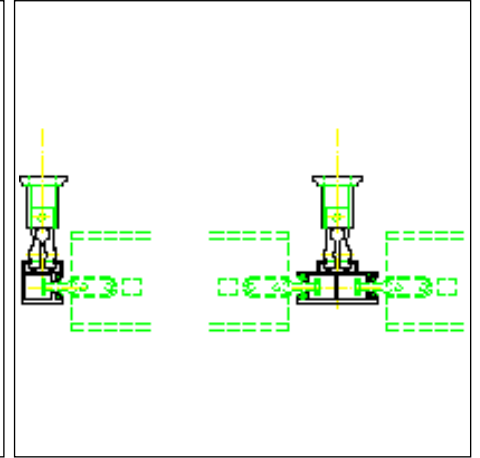
Drawing dwg (dwg/100 KB)



Standard clip vertical section

Drawing dxf (dxf/136 KB)

Drawing dwg (dwg/61 KB)

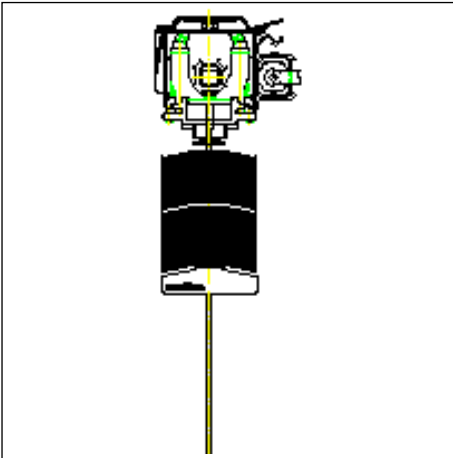


Standard clip horizontal section

Drawing dxf (dxf/132 KB)

Drawing dwg (dwg/61 KB)

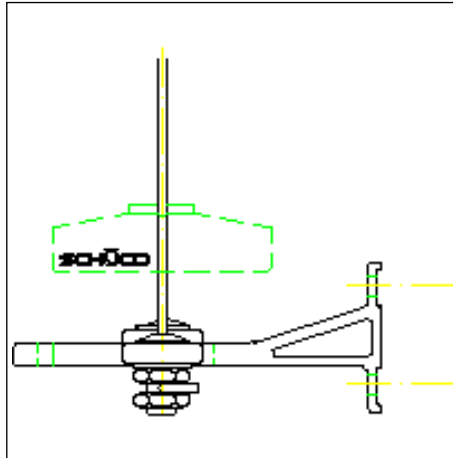
Schüco BEB 60 FC



External Blinds

Drawing dxf (dxf/402 KB)

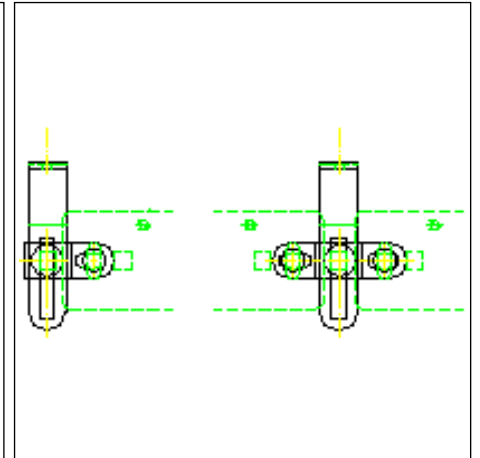
Drawing dwg (dwg/136 KB)



Cable tensioning bracket vertical section

Drawing dxf (dxf/260 KB)

Drawing dwg (dwg/87 KB)

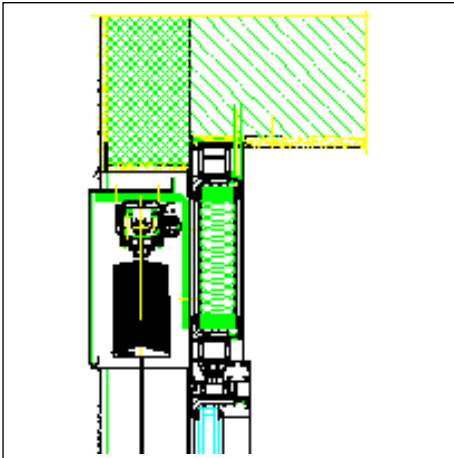


Cable tensioning bracket horizontal section

Drawing dxf (dxf/117 KB)

Drawing dwg (dwg/57 KB)

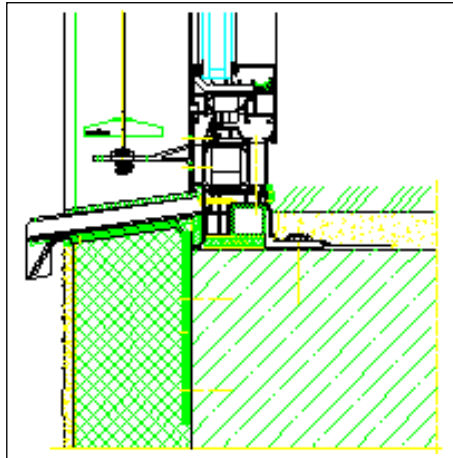
Schüco BEB 80 FC >Window (AWS 75.SI)



External Blinds, Type 2 Angled head box with attachment edge at top

Drawing dxf (dxf/1.3 MB)

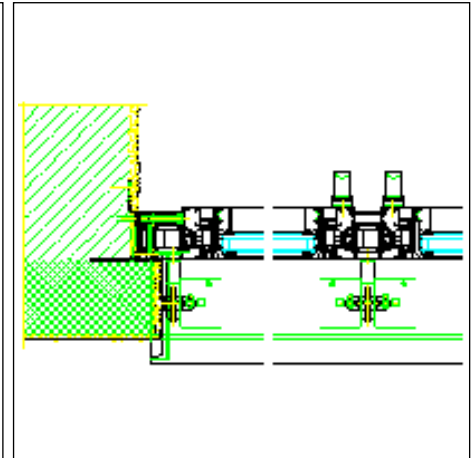
Drawing dwg (dwg/456 KB)



Sill attachment Cable tensioning bracket / vertical section

Drawing dxf (dxf/1.2 MB)

Drawing dwg (dwg/418 KB)

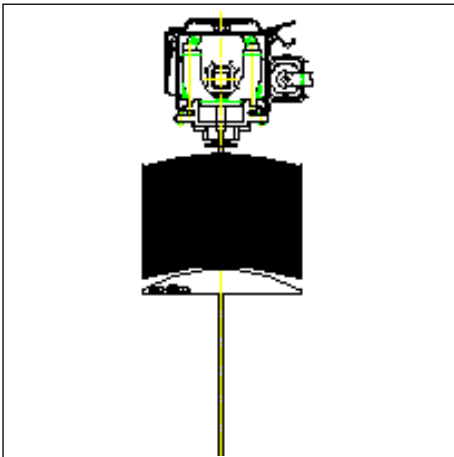


Side wall attachment Cable tensioning bracket / horizontal section

Drawing dxf (dxf/4.2 MB)

Drawing dwg (dwg/1.6 MB)

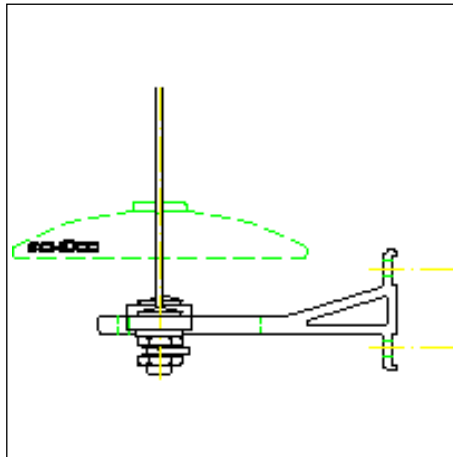
Schüco BEB 100 FC



External Blinds

Drawing dxf (dxf/352 KB)

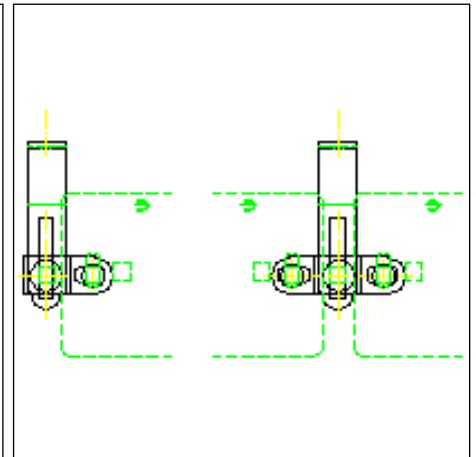
Drawing dwg (dwg/108 KB)



Cable tensioning bracket vertical section

Drawing dxf (dxf/258 KB)

Drawing dwg (dwg/86 KB)

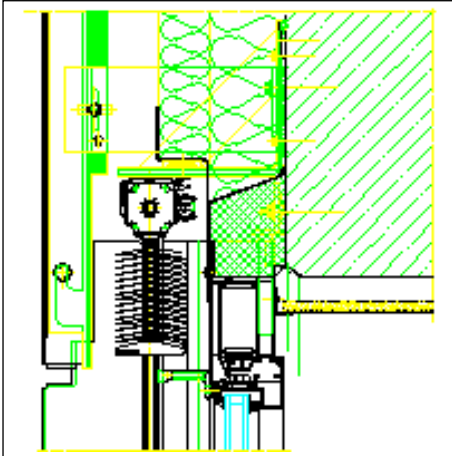


Cable tensioning bracket horizontal section

Drawing dxf (dxf/117 KB)

Drawing dwg (dwg/58 KB)

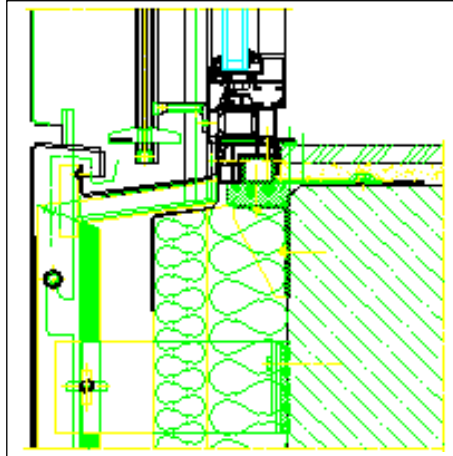
Schüco BEB 80 RT >Window (AWS 75 BS.HI)



**Attachment to ventilated façade
(aluminium sheet) Raffstore / vertical
section**

Drawing dxf (dxf/3.5 MB)

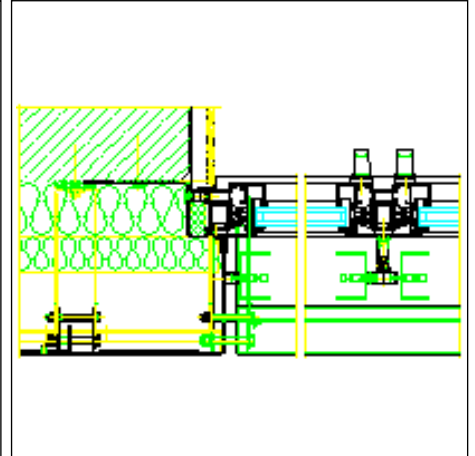
Drawing dwg (dwg/1.4 MB)



**Sill attachment Standard bracket /
vertical section**

Drawing dxf (dxf/3.4 MB)

Drawing dwg (dwg/1.3 MB)

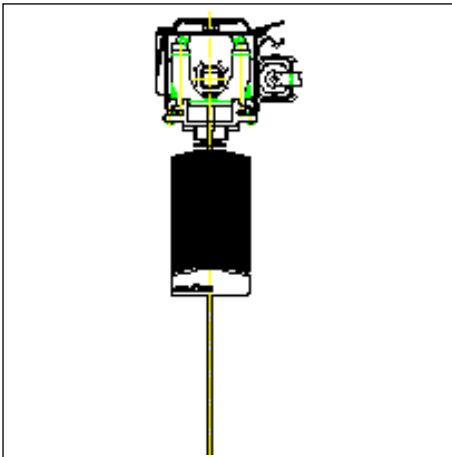


**Side wall attachment Inlet guide rail /
Standard bracket horizontal section**

Drawing dxf (dxf/1.9 MB)

Drawing dwg (dwg/728 KB)

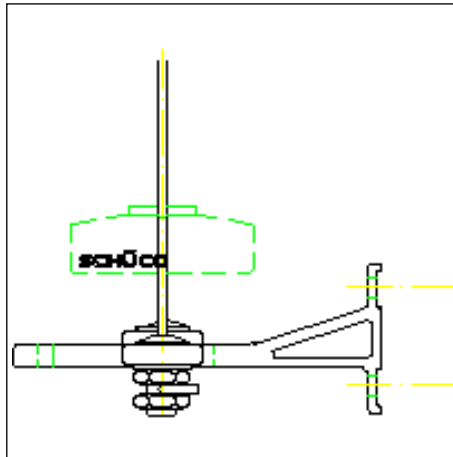
Schüco BEB 50 FC



External Blinds

Drawing dxf (dxf/350 KB)

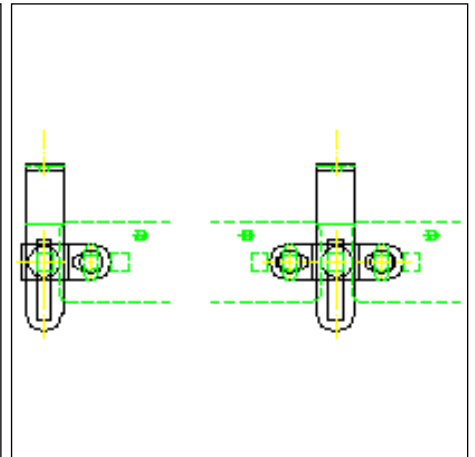
Drawing dwg (dwg/111 KB)



**Cable tensioning bracket vertical
section**

Drawing dxf (dxf/261 KB)

Drawing dwg (dwg/87 KB)

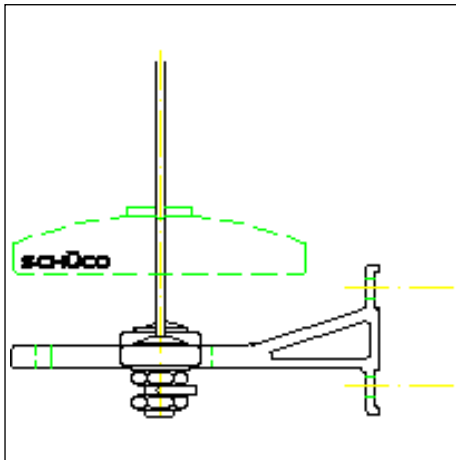


**Cable tensioning bracket horizontal
section**

Drawing dxf (dxf/118 KB)

Drawing dwg (dwg/59 KB)

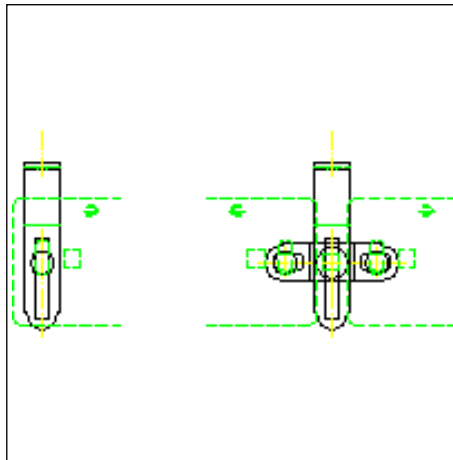
Cable tensioning bracket



881 0100 / vertical section x 50-90 mm / a 27 mm

Drawing dxf (dxf/255 KB)

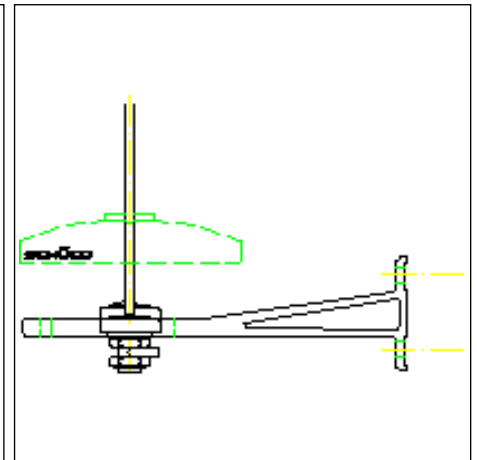
Drawing dwg (dwg/84 KB)



881 0100 / horizontal section x 50-90 mm / a 27 mm

Drawing dxf (dxf/93 KB)

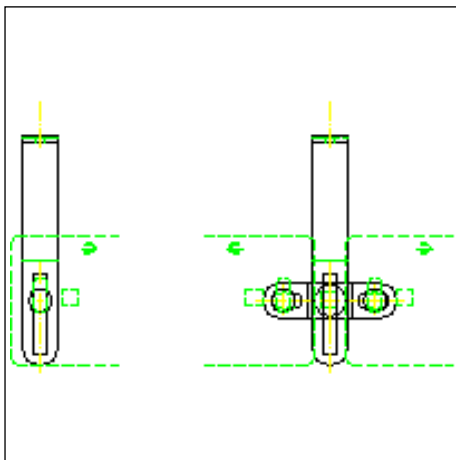
Drawing dwg (dwg/51 KB)



881 0101 / vertical section x 88-128 mm / a 27 mm

Drawing dxf (dxf/256 KB)

Drawing dwg (dwg/85 KB)

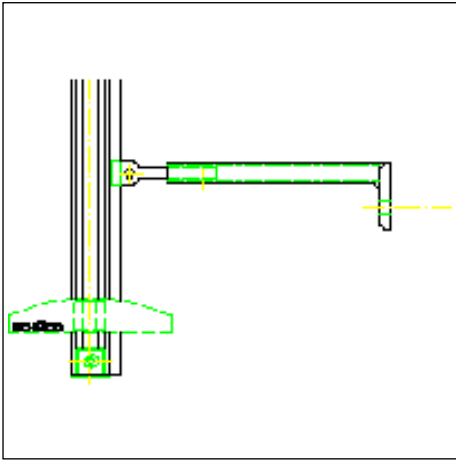


881 0101 / horizontal section x 88-128 mm / a 27 mm

Drawing dxf (dxf/89 KB)

Drawing dwg (dwg/49 KB)

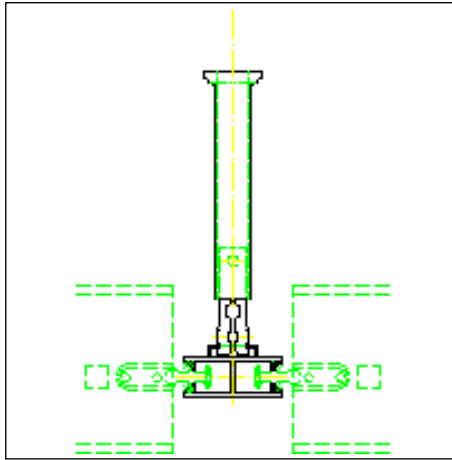
Standard bracket



871 0005 / vertical section LHa 118 - 131
mm

Drawing dxf (dxf/132 KB)

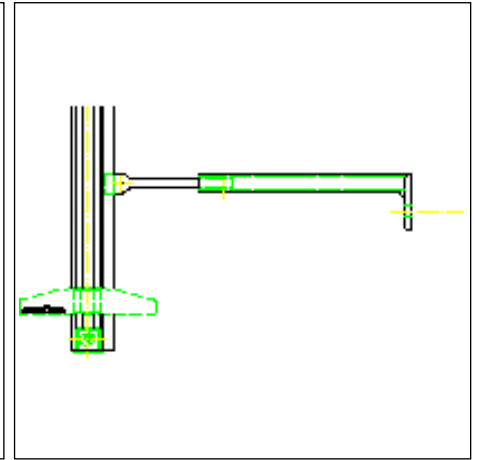
Drawing dwg (dwg/59 KB)



871 0005 / horizontal section LHa 118 - 131
mm

Drawing dxf (dxf/115 KB)

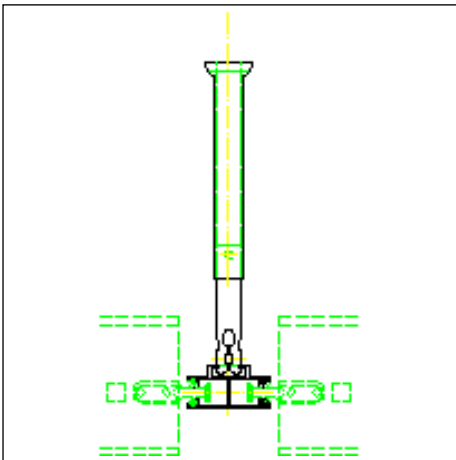
Drawing dwg (dwg/55 KB)



871 0006 / vertical section LHa 132 - 175
mm

Drawing dxf (dxf/225 KB)

Drawing dwg (dwg/90 KB)

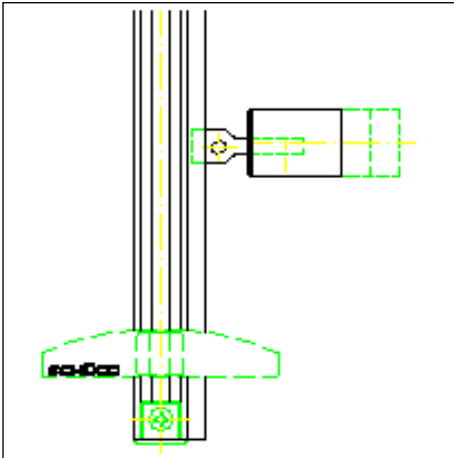


871 0006 / horizontal section LHa 132 - 175
mm

Drawing dxf (dxf/115 KB)

Drawing dwg (dwg/56 KB)

Retaining clip

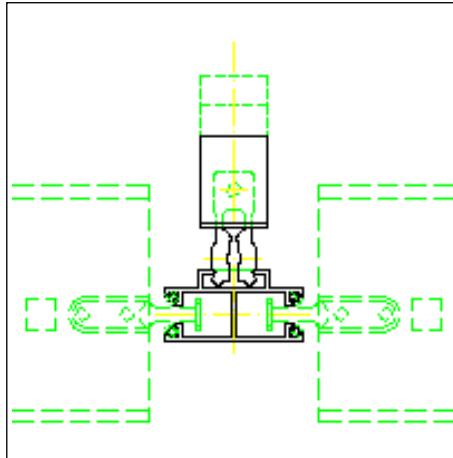


871 0100...102 / vertical section LHa

40.....69 mm

Drawing dxf (dxf/144 KB)

Drawing dwg (dwg/62 KB)

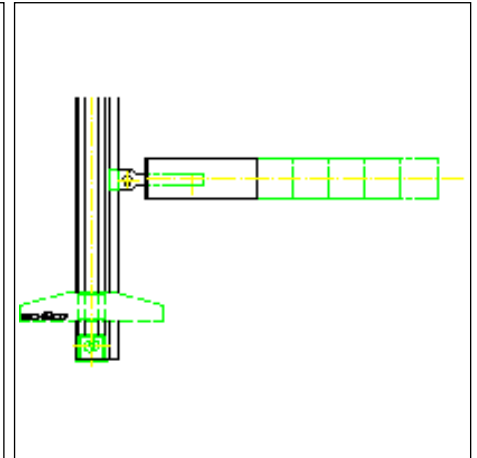


871 0100...102 / horizontal section LHa

40.....69 mm

Drawing dxf (dxf/122 KB)

Drawing dwg (dwg/58 KB)

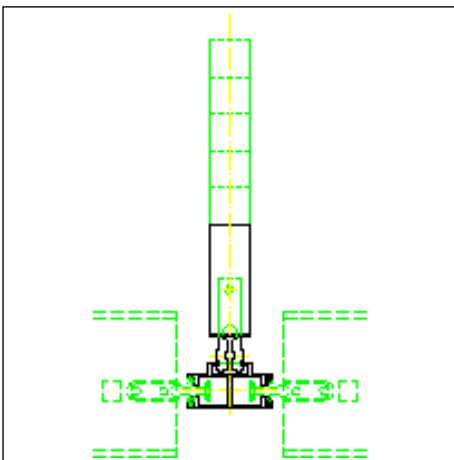


871 0103...108 / vertical section LHa

70.....189 mm

Drawing dxf (dxf/145 KB)

Drawing dwg (dwg/62 KB)



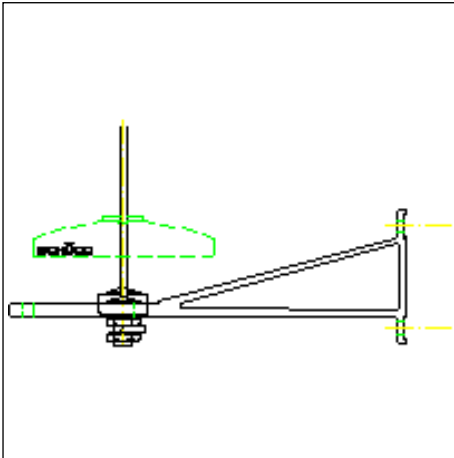
871 0103...108 / horizontal section LHa

70.....189 mm

Drawing dxf (dxf/166 KB)

Drawing dwg (dwg/66 KB)

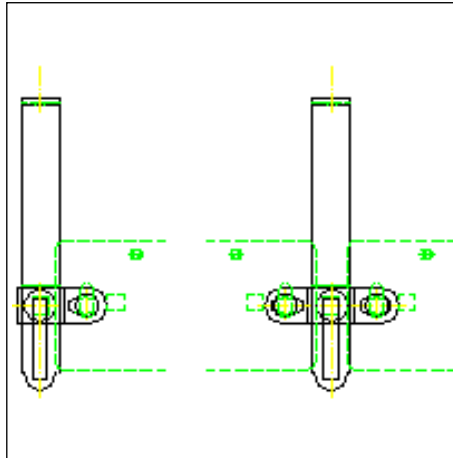
Cable tensioning bracket



881 0102 / vertical section x 125-165 mm / a 45 mm

Drawing dxf (dxf/256 KB)

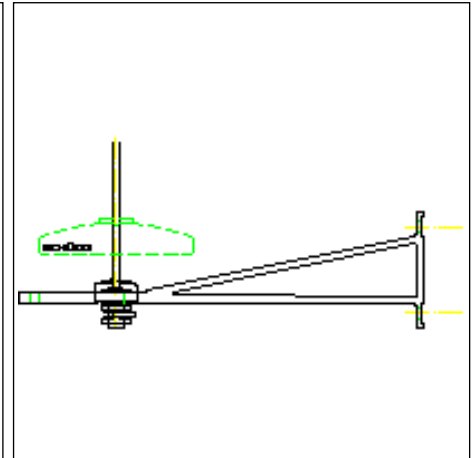
Drawing dwg (dwg/85 KB)



881 0102 / horizontal section x 125-165 mm / a 45 mm

Drawing dxf (dxf/101 KB)

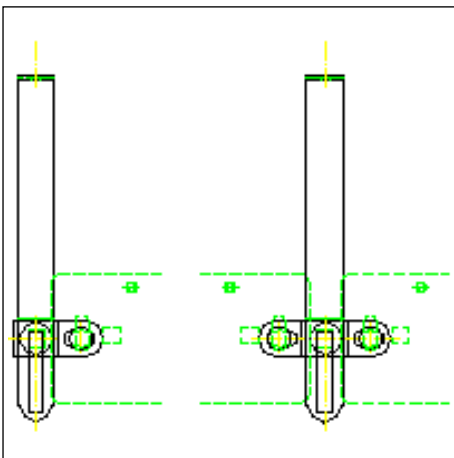
Drawing dwg (dwg/53 KB)



881 0103 / vertical section x 160-200 mm / a 45 mm

Drawing dxf (dxf/257 KB)

Drawing dwg (dwg/86 KB)

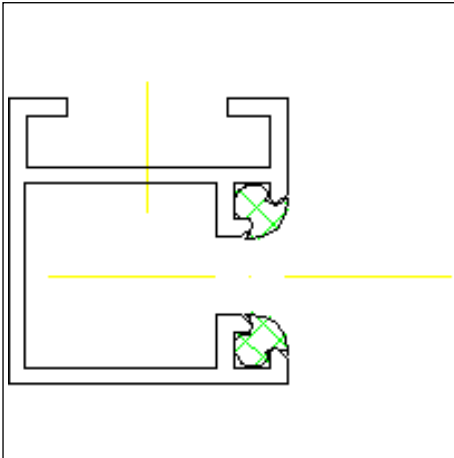


881 0103 / horizontal section x 160-200 mm / a 45 mm

Drawing dxf (dxf/121 KB)

Drawing dwg (dwg/59 KB)

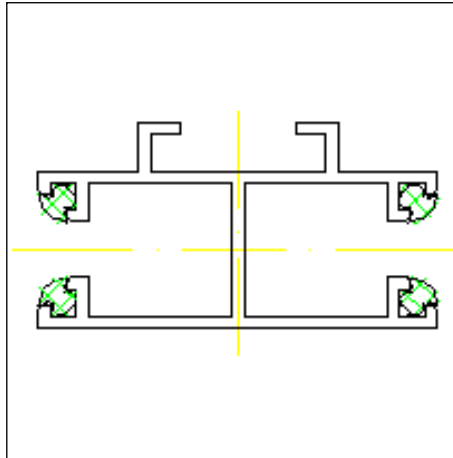
Track guides



Single guide rail (standard)

Drawing dxf (dxf/57 KB)

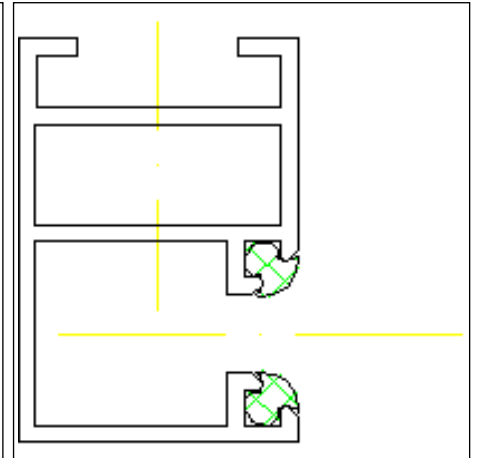
Drawing dwg (dwg/38 KB)



Double guide rail (standard)

Drawing dxf (dxf/78 KB)

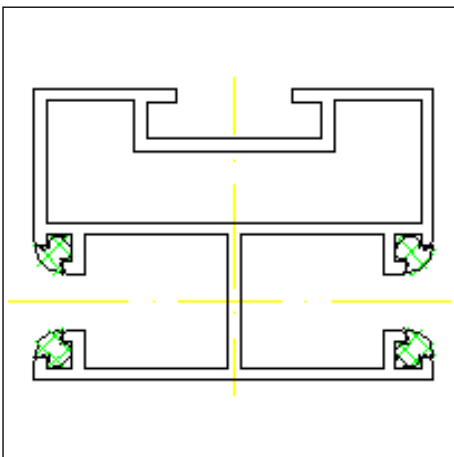
Drawing dwg (dwg/43 KB)



Single box guide rail 25

Drawing dxf (dxf/64 KB)

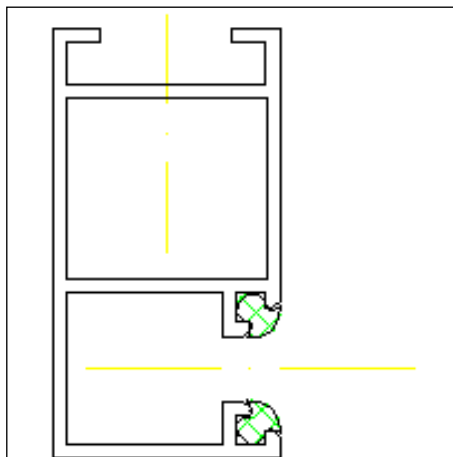
Drawing dwg (dwg/40 KB)



Double box guide rail 25

Drawing dxf (dxf/79 KB)

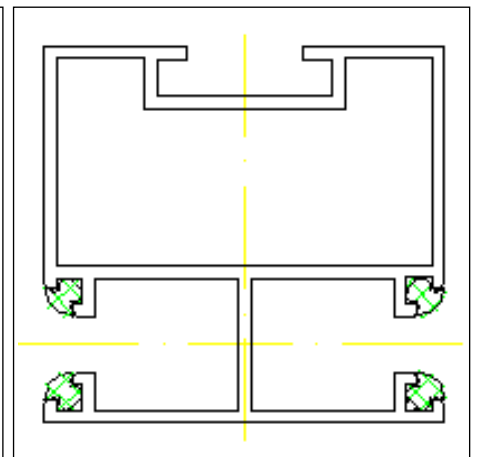
Drawing dwg (dwg/43 KB)



Single box guide rail 35

Drawing dxf (dxf/64 KB)

Drawing dwg (dwg/39 KB)

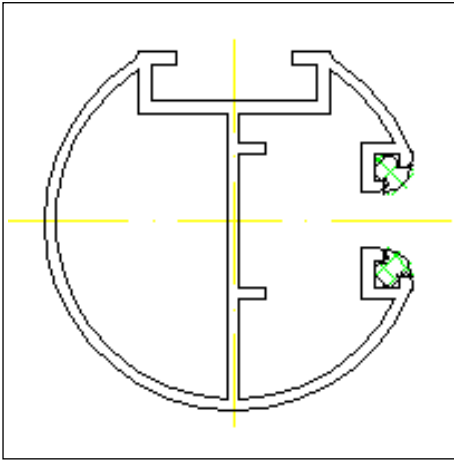


Double box guide rail 35

Drawing dxf (dxf/80 KB)

Drawing dwg (dwg/43 KB)

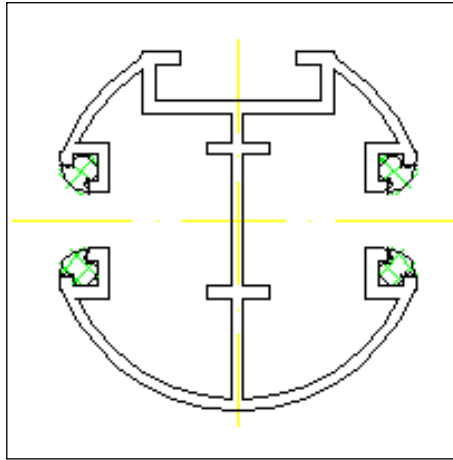
Track guides



Single round guide rail Ø 45 mm

Drawing dxf (dxf/67 KB)

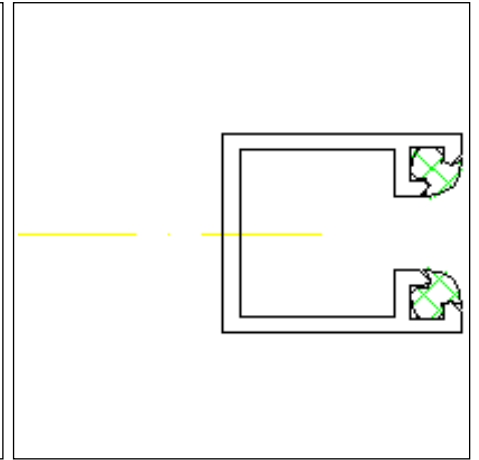
Drawing dwg (dwg/40 KB)



Double round guide rail Ø 45 mm

Drawing dxf (dxf/84 KB)

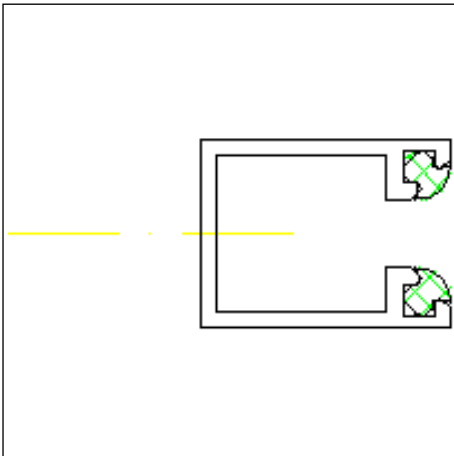
Drawing dwg (dwg/44 KB)



Inlet guide rail 21 (standard)

Drawing dxf (dxf/60 KB)

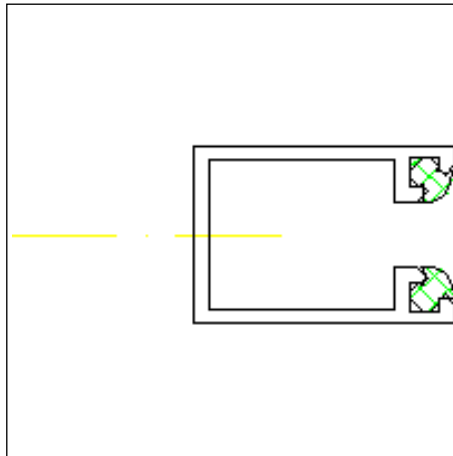
Drawing dwg (dwg/39 KB)



Inlet guide rail 24

Drawing dxf (dxf/60 KB)

Drawing dwg (dwg/39 KB)

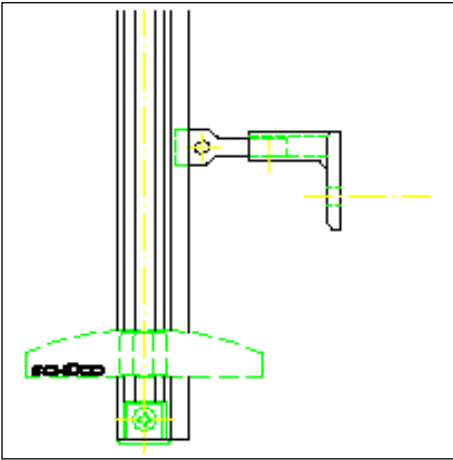


Inlet guide rail 26

Drawing dxf (dxf/60 KB)

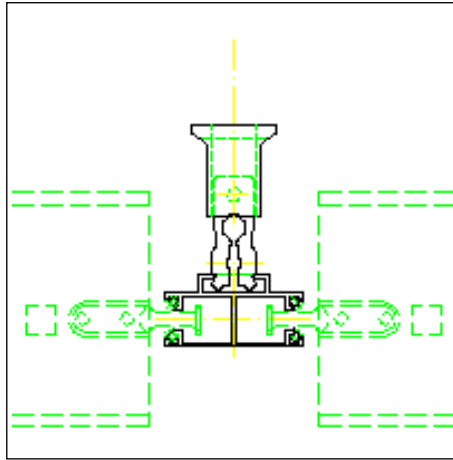
Drawing dwg (dwg/39 KB)

Standard bracket



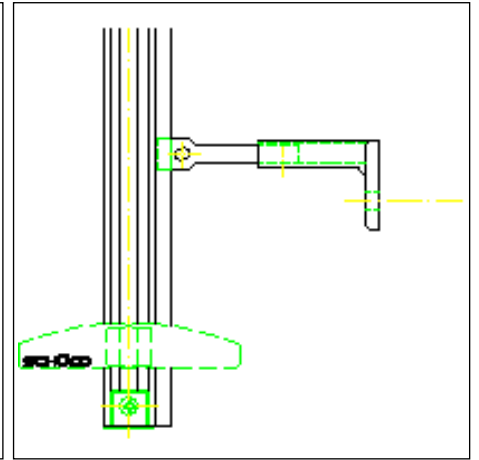
871 0001 / vertical section LHa 40 - 51 mm

Drawing dxf (dxf/132 KB)
Drawing dwg (dwg/59 KB)



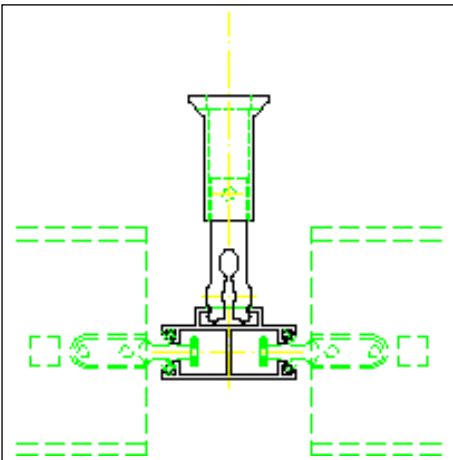
871 0001 / horizontal section LHa 40 - 51 mm

Drawing dxf (dxf/115 KB)
Drawing dwg (dwg/56 KB)



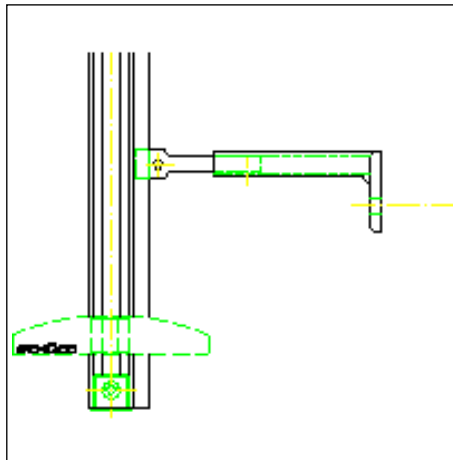
871 0002 / vertical section LHa 52 - 75 mm

Drawing dxf (dxf/132 KB)
Drawing dwg (dwg/59 KB)



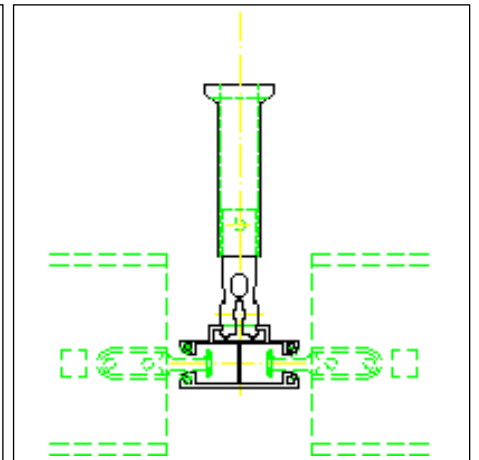
871 0002 / horizontal section LHa 52 - 75 mm

Drawing dxf (dxf/115 KB)
Drawing dwg (dwg/55 KB)



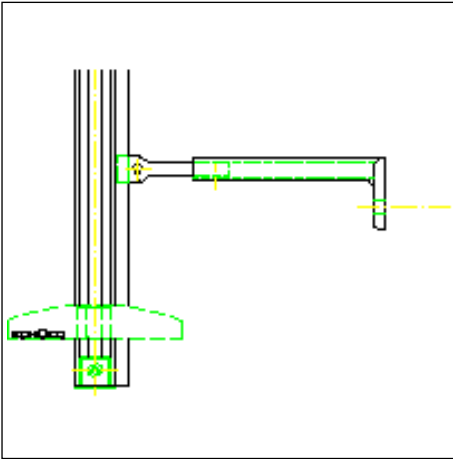
871 0003 / vertical section LHa 76 - 95 mm

Drawing dxf (dxf/132 KB)
Drawing dwg (dwg/59 KB)



871 0003 / horizontal section LHa 76 - 95 mm

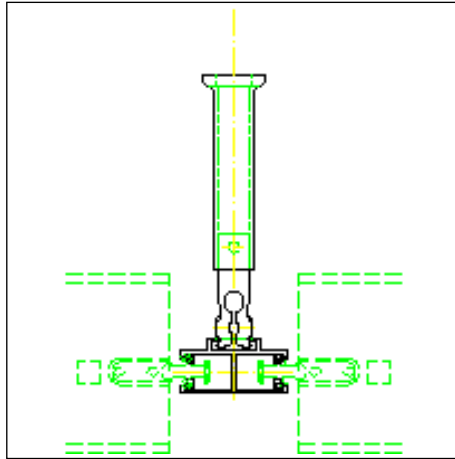
Drawing dxf (dxf/114 KB)
Drawing dwg (dwg/55 KB)



871 0004 / vertical section LHa 96 - 117 mm

Drawing dxf (dxf/295 KB)

Drawing dwg (dwg/109 KB)



871 0004 / horizontal section LHa 96 - 117 mm

Drawing dxf (dxf/115 KB)

Drawing dwg (dwg/56 KB)