

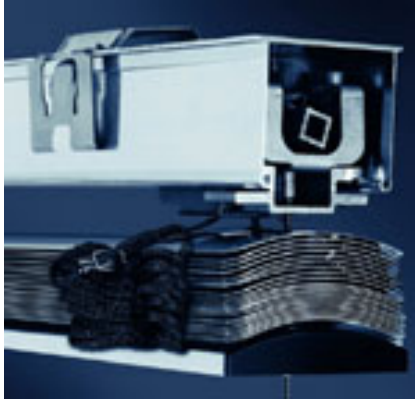
Düz güneş kırıcılı ve kablo kılavuzlu Schüco Dış Jaluzi Sistemleri BEB 50 / 60 / 80 / 100 FC



Dış jaluziler için yeni görünüm

BEB 50/60/80/100 FC dış jaluzi sistemleri daha da fazla yarar sunmak üzere iyileştirilmiştir. BEB, 50, 60, 80 veya 100 mm kırıcı genişlikleri seçeneklerine sahip Dış Jaluzi Sistemi anlamına gelir. Düz güneş kırıcı (F = düz) elektrikli bir motor ve bir kablo (C = kablo) ile çalıştırılır. Dış jaluziler, kolay çalıştırma, yüksek seviyede kararlılık ve iyileştirilmiş gölgeleme sağlar.

Basamaklı şerit, kaldırma bantı ve kılavuz kablo, kırıcının köşesinde yer alır ve şık bir görünüm sağlar. Presli açıklıklar azami kapatma sağlamak üzere tasarlanmıştır. Kırıcı eğriliği, yatakların arasındaki mesafenin genişletilmesi için arttırılmıştır.



Detaylı mühendislik çözümleri

Düz istifleme asgari dizi yüksekliği sağlar. Asgari dizi yüksekliği asgari kurulum alanı gerektirir ve mümkün olan en alçak perde yüksekliğine izin verir. Tokalı bağlantı kurulumun daha kolay yapılmasını sağlar.

Kullanıcılara yararları

- Köşelerdeki presli delikler ve iyileştirilmiş kapatma açısı sayesinde **iyileştirilmiş gölgeleme**
- **Güneş gölgeleme ve perdeleme** güvenilir çalıştırma ile
- **Zarif güneş gölgeleme** yeni görünüm sayesinde

İmalatçılara yararları

- **Hızlı kurulum** montaj çubuğu için tokalı teknoloji vasıtasıyla, gömme kablo kafası ile perdelerin kolayca kavranması
- **Kolayca kaldırma** Üst ray kolayca uzatılabilir, üst rayın kurulum yönüne göre hızlı teşhis
- **Güvenilir kablo gerginliği** tanımlı kablo gerginliği, bakım gerektirmez

Tasarımcılara yararları

- **Asgari kurulum alanı**, asgari dizi yüksekliği sayesinde
- **Esnek mekanizmalar**, montaj çubuğunun esnek bir şekilde pozisyonlanması ile



Tokalı bağlantı

- Jaluzilerin hızlı bir şekilde ve kolayca montajı
- Montaj çubuğunun esnek pozisyonu
- Kolayca sökülür



Kırıcı eğriliği ve kapatma açısı

- Daha fazla kararlılık ve daha büyük yatak açıklıkları için arttırılmış kırıcı eğriliği
- Kırıcıya yapılan sabit bağlantı sayesinde sabit kırıcı pozisyonu
- Dönme mekanizmasına takılmak üzere ayarlanmış presli delikler
- Sadece köşedeki küçük presli delikler sayesinde azami gölgeleme
- Kapatma açısı 78°



Bütünleşik yay sistemli kablo desteği

- Tanımlı yay sistemi
- 150 N - 260 N aralığında kabloyu önceden germe
- Kış ve yazın kurmaya bağlı olarak germe işleminin önceden güvenilir bir şekilde ayarlanması

Tech. Information

Material

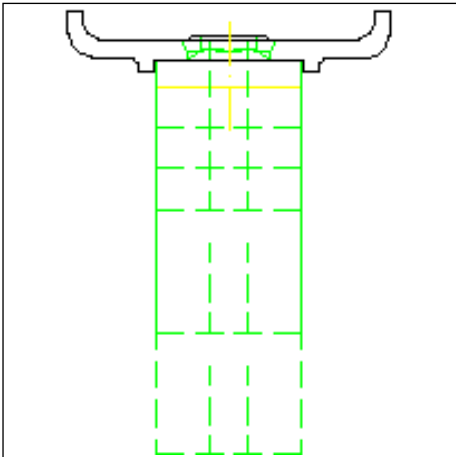
Aluminium

Solar shading systems

Austrian blinds

CAD-Drawings

Mounting plate



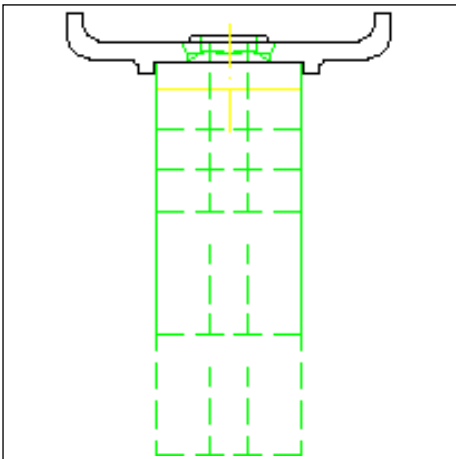
Installation accessories Retaining clip /

FW 50+

Drawing dxf (dxf/63 KB)

Drawing dwg (dwg/40 KB)

Mounting plate



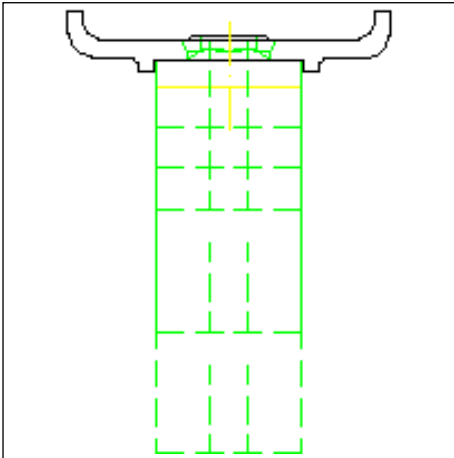
Installation accessories Cable

tensioning bracket / FW 50+

Drawing dxf (dxf/63 KB)

Drawing dwg (dwg/40 KB)

Mounting plate

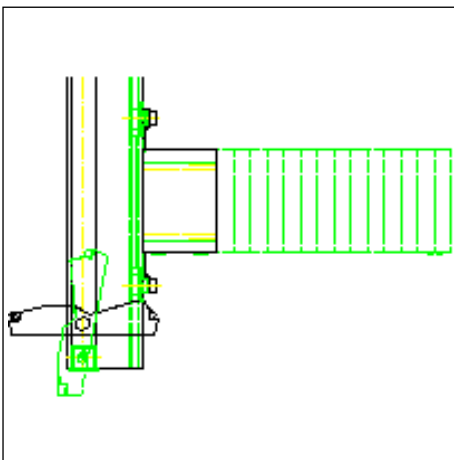


Installation accessories Load-bearing support / FW 50+

Drawing dxf (dxf/63 KB)

Drawing dwg (dwg/40 KB)

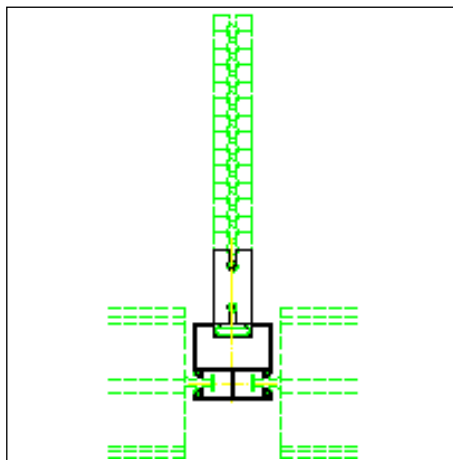
Load-bearing support



871 0150...164 / vertical section LHa 40.....185 mm

Drawing dxf (dxf/236 KB)

Drawing dwg (dwg/81 KB)

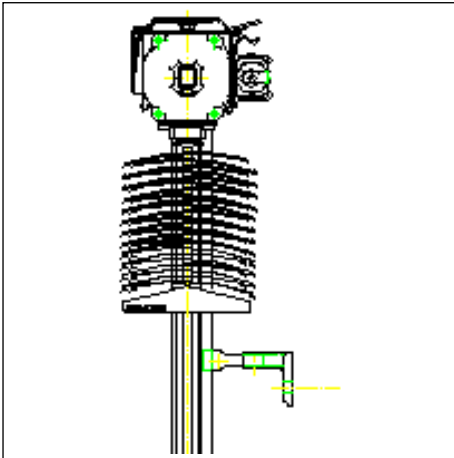


871 0150...164 / horizontal section LHa 40.....185 mm

Drawing dxf (dxf/302 KB)

Drawing dwg (dwg/129 KB)

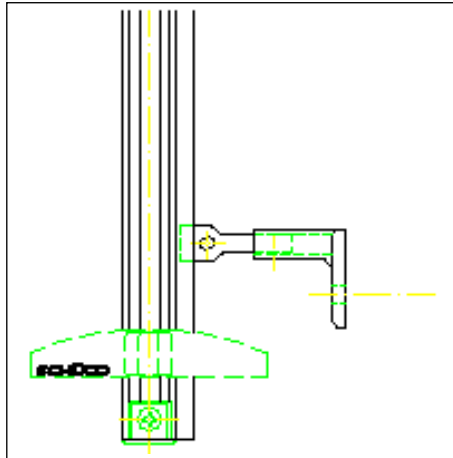
Schüco BEB 80 RT



External Blinds

Drawing dxf (dxf/296 KB)

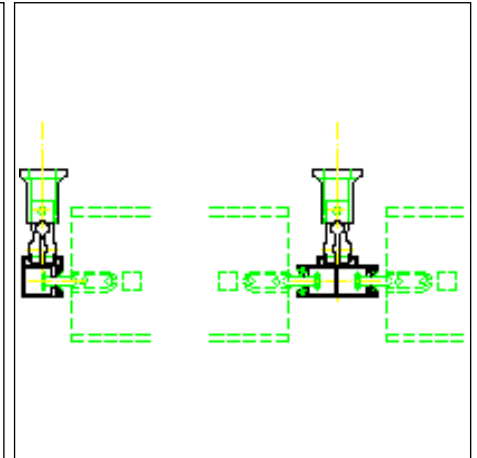
Drawing dwg (dwg/97 KB)



Standard clip vertical section

Drawing dxf (dxf/137 KB)

Drawing dwg (dwg/61 KB)

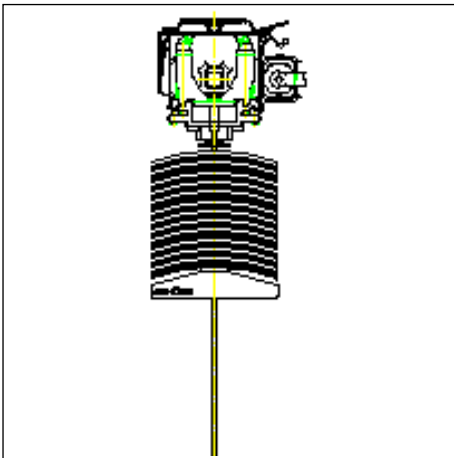


Standard clip horizontal section

Drawing dxf (dxf/128 KB)

Drawing dwg (dwg/59 KB)

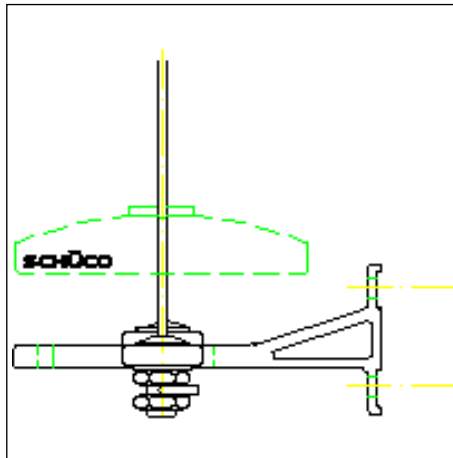
Schüco BEB 80 FC



External Blinds

Drawing dxf (dxf/337 KB)

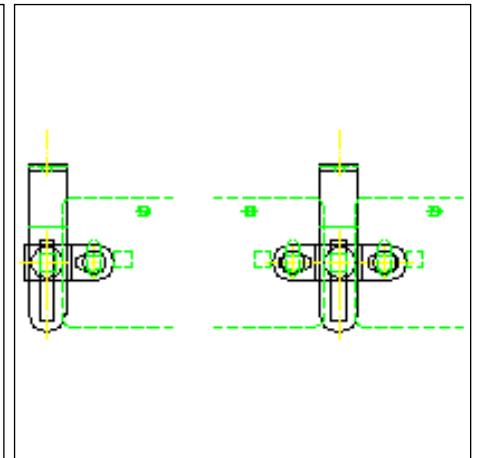
Drawing dwg (dwg/106 KB)



Cable tensioning bracket vertical section

Drawing dxf (dxf/260 KB)

Drawing dwg (dwg/87 KB)

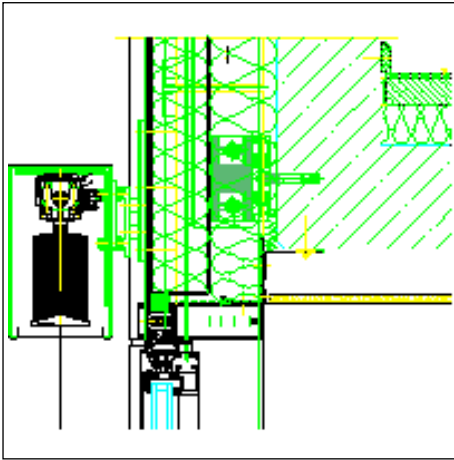


Cable tensioning bracket horizontal section

Drawing dxf (dxf/117 KB)

Drawing dwg (dwg/59 KB)

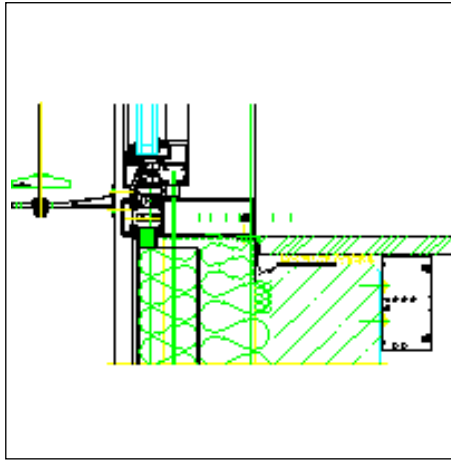
Schüco BEB 80 FC >Façade (FW 50+)



External Blinds, Type 4 U-shaped head box vertical section

Drawing dxf (dxf/1.3 MB)

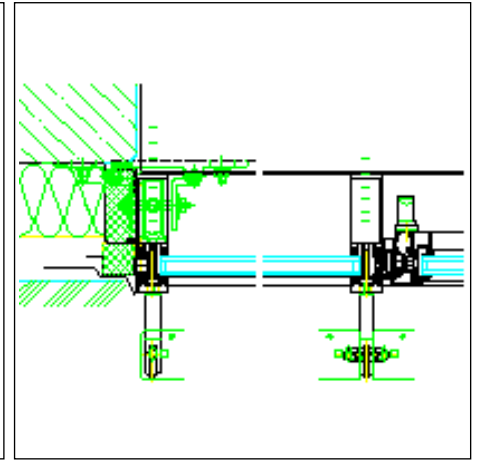
Drawing dwg (dwg/464 KB)



Sill attachment Cable tensioning bracket / vertical section

Drawing dxf (dxf/2.2 MB)

Drawing dwg (dwg/842 KB)

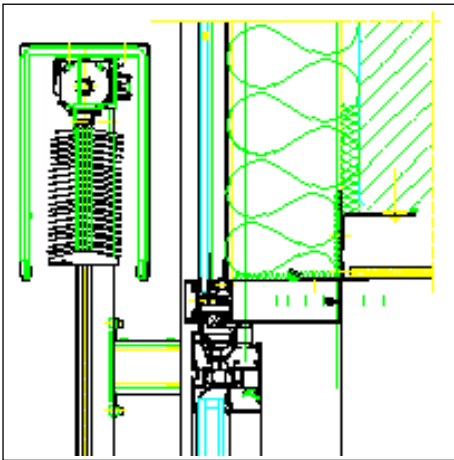


Side wall attachment Cable tensioning bracket / horizontal section

Drawing dxf (dxf/7 MB)

Drawing dwg (dwg/2.8 MB)

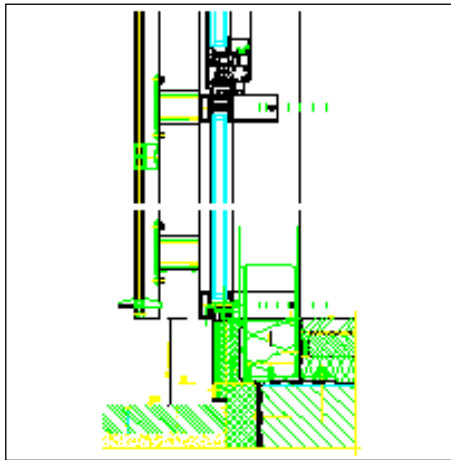
Schüco BEB 80 RT >Façade (FW 50+)



External Blinds, Type 4 U-shaped head box vertical section

Drawing dxf (dxf/678 KB)

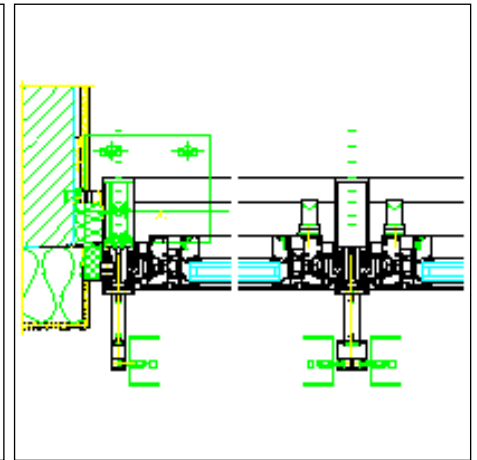
Drawing dwg (dwg/201 KB)



Sill attachment Load-bearing support / vertical section

Drawing dxf (dxf/581 KB)

Drawing dwg (dwg/183 KB)

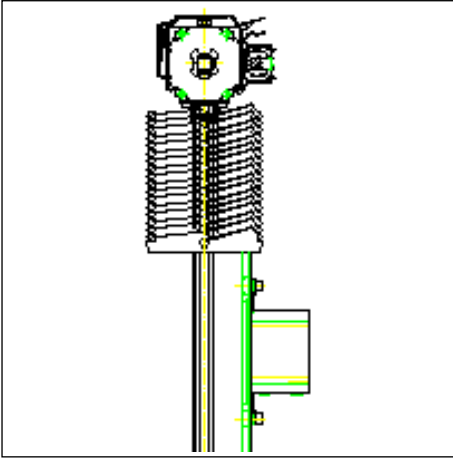


Side wall attachment Single box guide rail / Double box guide rail horizontal section

Drawing dxf (dxf/566 KB)

Drawing dwg (dwg/178 KB)

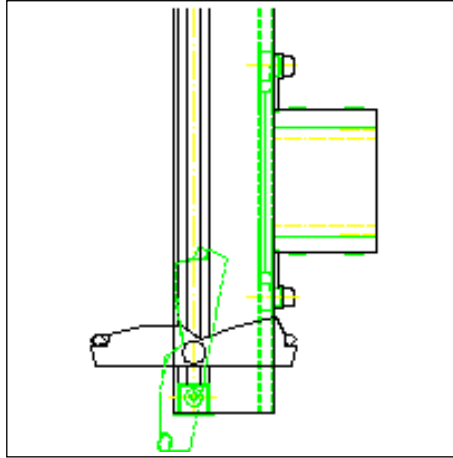
Schüco BEB 90 ZT



External Blinds

Drawing dxf (dxf/433 KB)

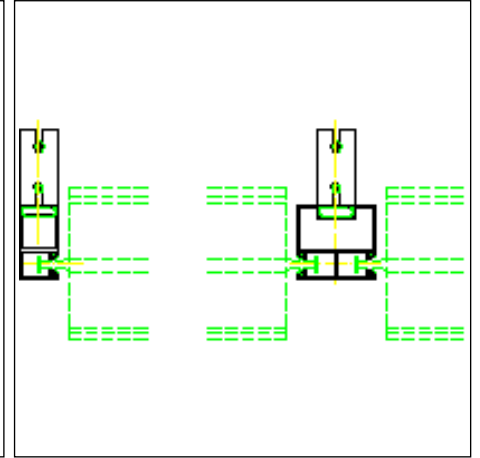
Drawing dwg (dwg/125 KB)



Load-bearing support vertical section

Drawing dxf (dxf/231 KB)

Drawing dwg (dwg/80 KB)

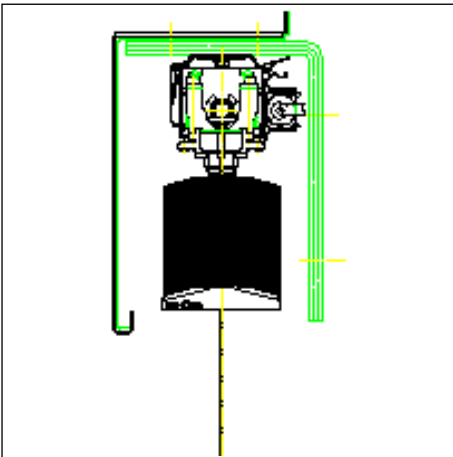


Load-bearing support horizontal section

Drawing dxf (dxf/306 KB)

Drawing dwg (dwg/130 KB)

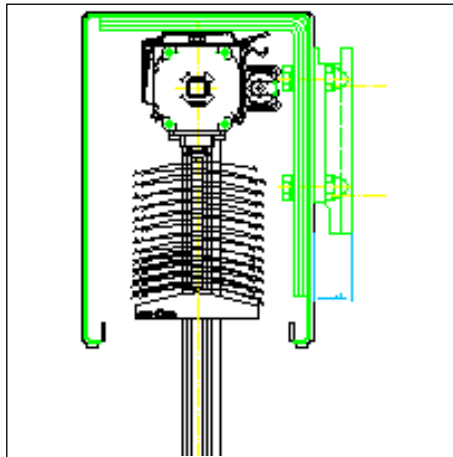
Head boxes (example)



Type 2 Angled head box with attachment edge at top

Drawing dxf (dxf/924 KB)

Drawing dwg (dwg/341 KB)

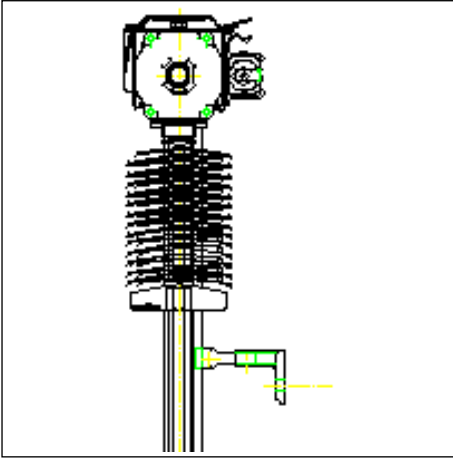


Type 4 U-shaped head box

Drawing dxf (dxf/876 KB)

Drawing dwg (dwg/330 KB)

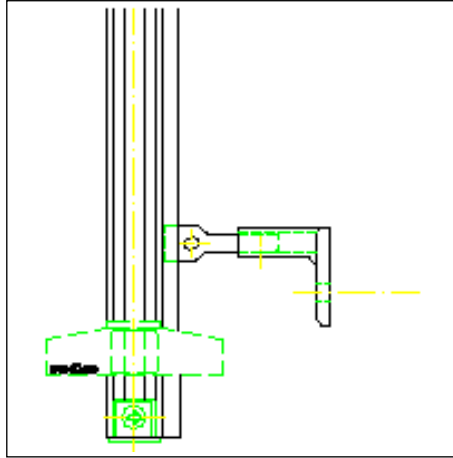
Schüco BEB 60 RT



External Blinds

Drawing dxf (dxf/309 KB)

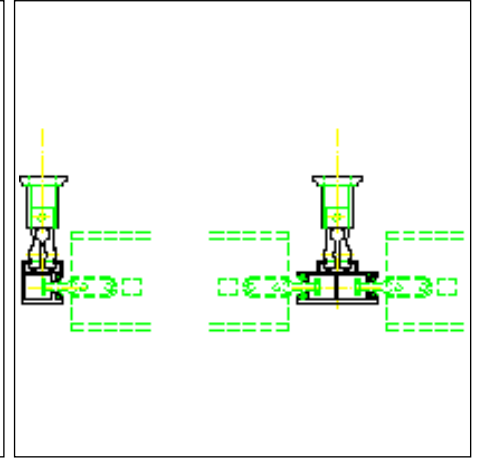
Drawing dwg (dwg/100 KB)



Standard clip vertical section

Drawing dxf (dxf/136 KB)

Drawing dwg (dwg/61 KB)

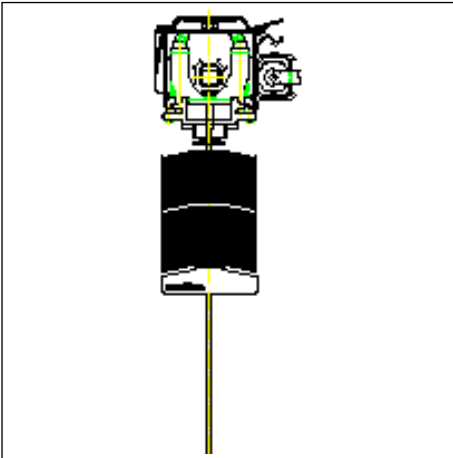


Standard clip horizontal section

Drawing dxf (dxf/132 KB)

Drawing dwg (dwg/61 KB)

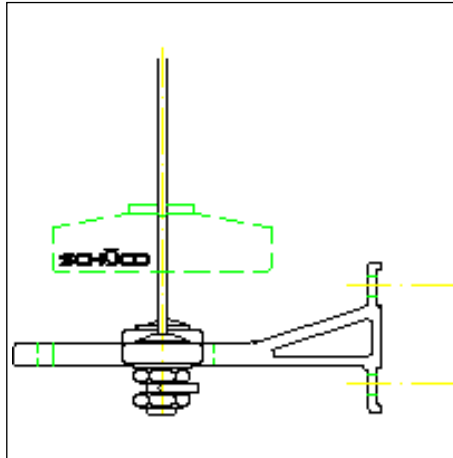
Schüco BEB 60 FC



External Blinds

Drawing dxf (dxf/402 KB)

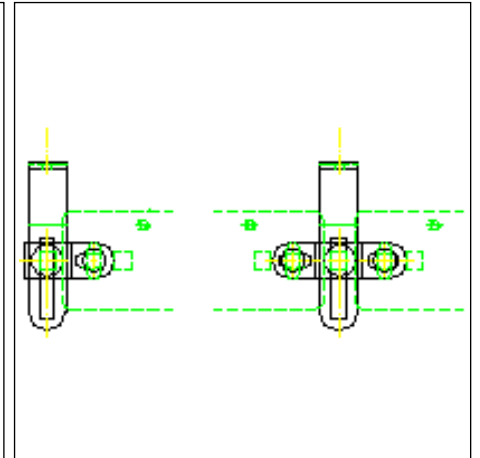
Drawing dwg (dwg/136 KB)



Cable tensioning bracket vertical section

Drawing dxf (dxf/260 KB)

Drawing dwg (dwg/87 KB)

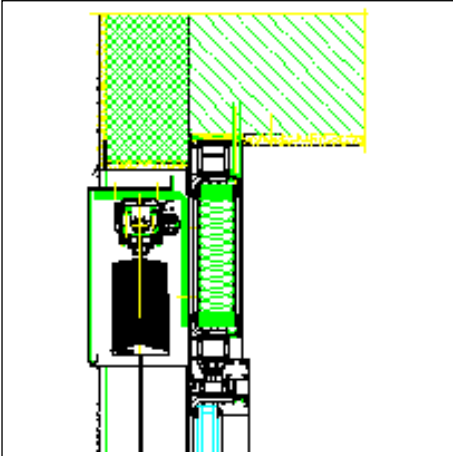


Cable tensioning bracket horizontal section

Drawing dxf (dxf/117 KB)

Drawing dwg (dwg/57 KB)

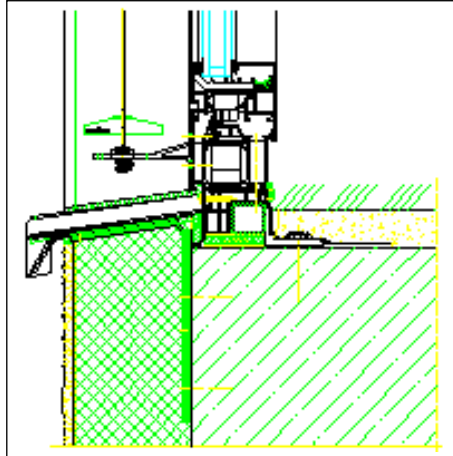
Schüco BEB 80 FC >Window (AWS 75.SI)



External Blinds, Type 2 Angled head box with attachment edge at top

Drawing dxf (dxf/1.3 MB)

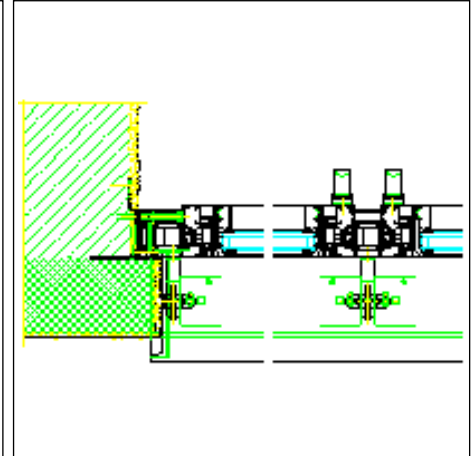
Drawing dwg (dwg/456 KB)



Sill attachment Cable tensioning bracket / vertical section

Drawing dxf (dxf/1.2 MB)

Drawing dwg (dwg/418 KB)

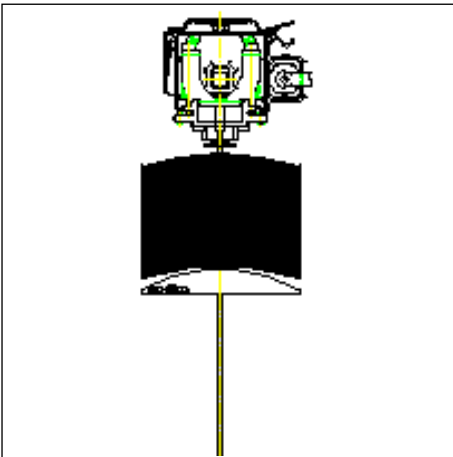


Side wall attachment Cable tensioning bracket / horizontal section

Drawing dxf (dxf/4.2 MB)

Drawing dwg (dwg/1.6 MB)

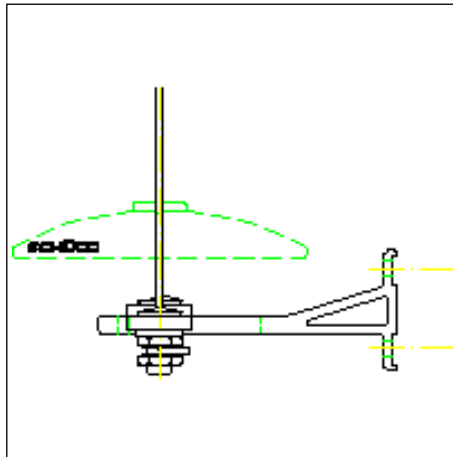
Schüco BEB 100 FC



External Blinds

Drawing dxf (dxf/352 KB)

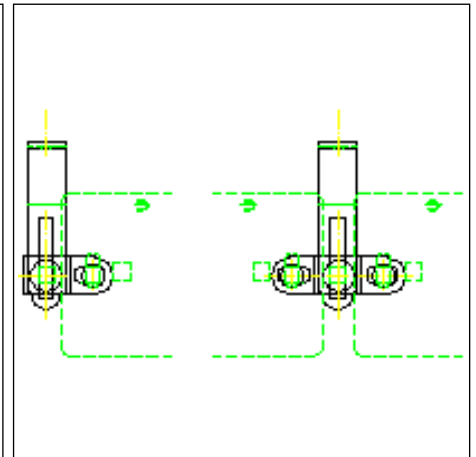
Drawing dwg (dwg/108 KB)



Cable tensioning bracket vertical section

Drawing dxf (dxf/258 KB)

Drawing dwg (dwg/86 KB)

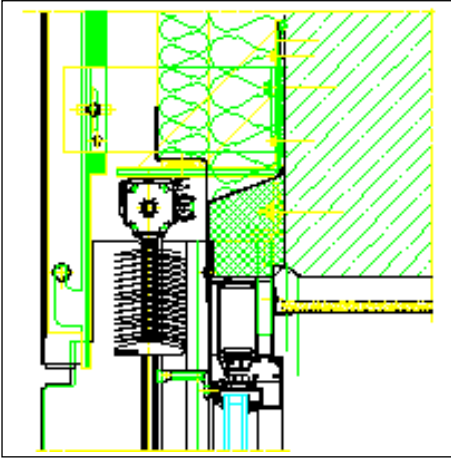


Cable tensioning bracket horizontal section

Drawing dxf (dxf/117 KB)

Drawing dwg (dwg/58 KB)

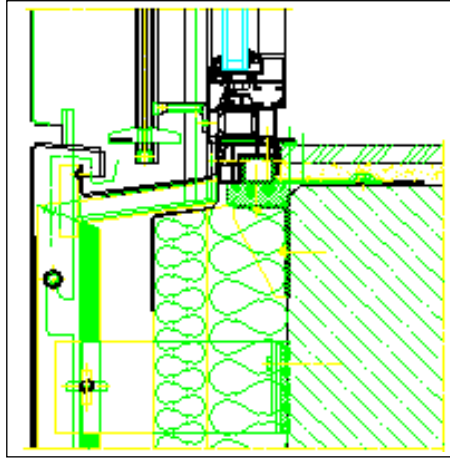
Schüco BEB 80 RT >Window (AWS 75 BS.HI)



**Attachment to ventilated façade
(aluminium sheet) Raffstore / vertical
section**

Drawing dxf (dxf/3.5 MB)

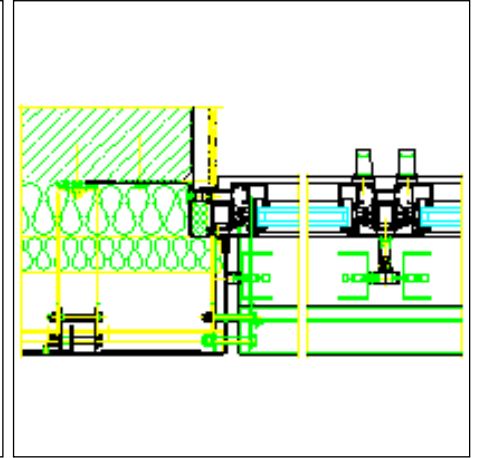
Drawing dwg (dwg/1.4 MB)



**Sill attachment Standard bracket /
vertical section**

Drawing dxf (dxf/3.4 MB)

Drawing dwg (dwg/1.3 MB)

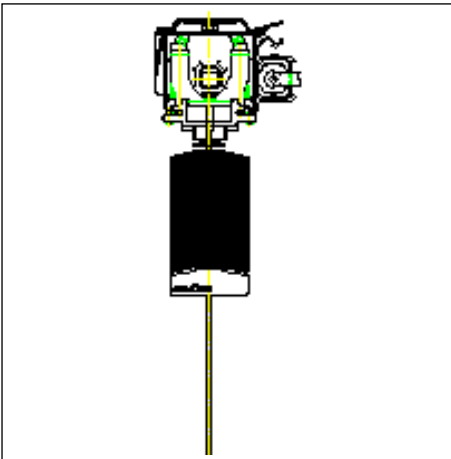


**Side wall attachment Inlet guide rail /
Standard bracket horizontal section**

Drawing dxf (dxf/1.9 MB)

Drawing dwg (dwg/728 KB)

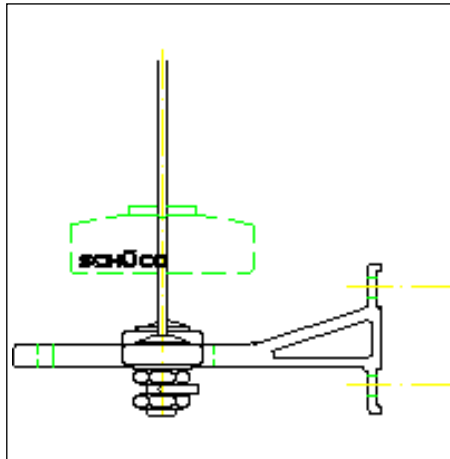
Schüco BEB 50 FC



External Blinds

Drawing dxf (dxf/350 KB)

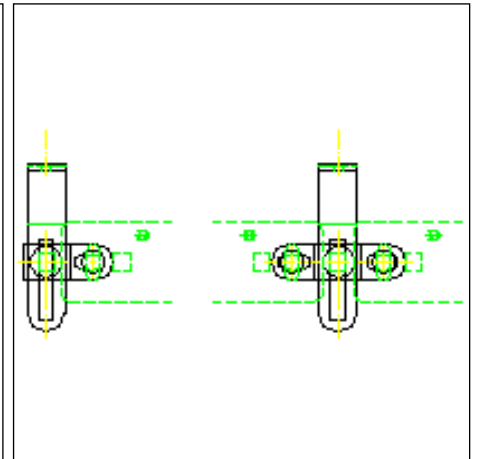
Drawing dwg (dwg/111 KB)



**Cable tensioning bracket vertical
section**

Drawing dxf (dxf/261 KB)

Drawing dwg (dwg/87 KB)

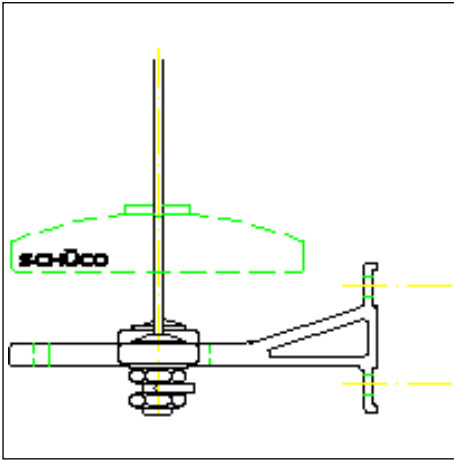


**Cable tensioning bracket horizontal
section**

Drawing dxf (dxf/118 KB)

Drawing dwg (dwg/59 KB)

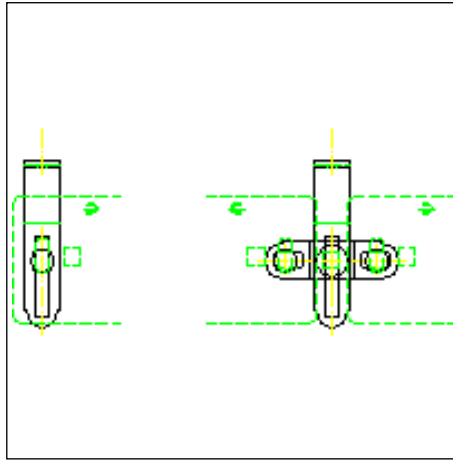
Cable tensioning bracket



881 0100 / vertical section x 50-90 mm / a 27 mm

Drawing dxf (dxf/255 KB)

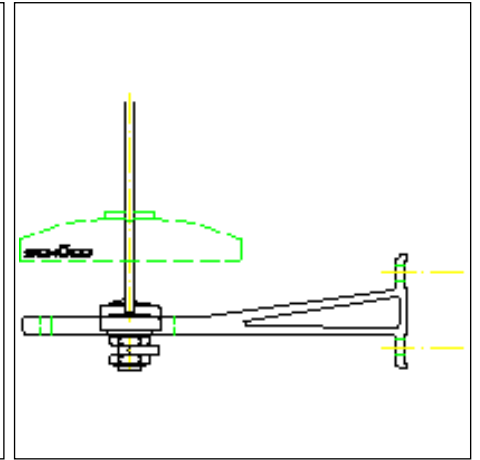
Drawing dwg (dwg/84 KB)



881 0100 / horizontal section x 50-90 mm / a 27 mm

Drawing dxf (dxf/93 KB)

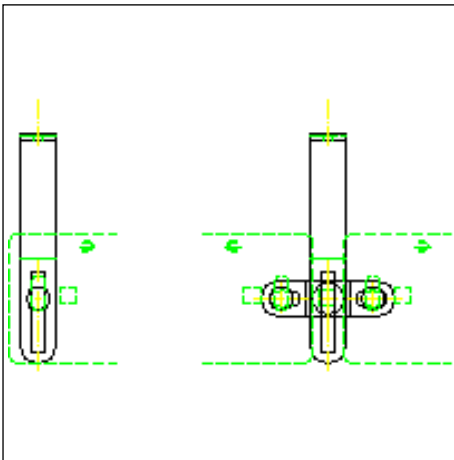
Drawing dwg (dwg/51 KB)



881 0101 / vertical section x 88-128 mm / a 27 mm

Drawing dxf (dxf/256 KB)

Drawing dwg (dwg/85 KB)

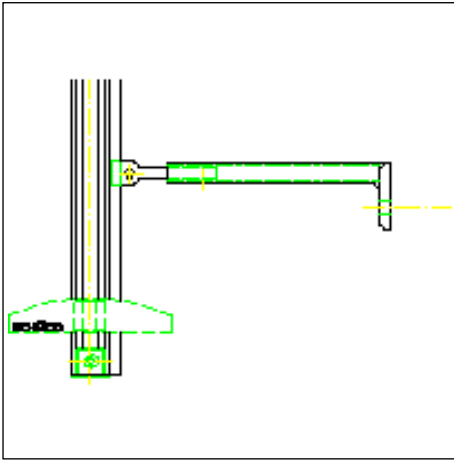


881 0101 / horizontal section x 88-128 mm / a 27 mm

Drawing dxf (dxf/89 KB)

Drawing dwg (dwg/49 KB)

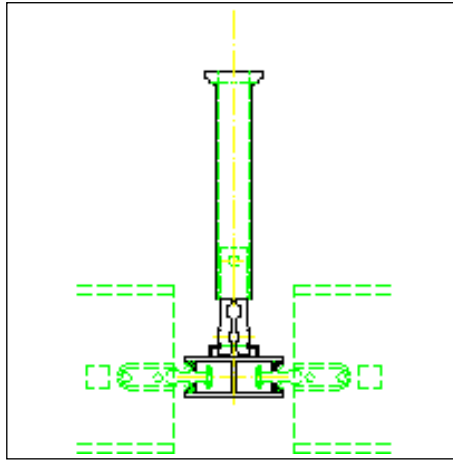
Standard bracket



871 0005 / vertical section LHa 118 - 131 mm

Drawing dxf (dxf/132 KB)

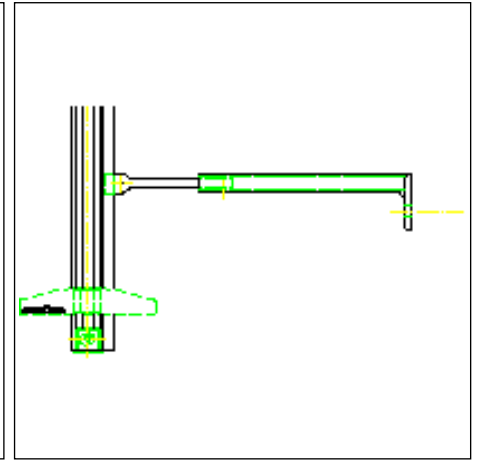
Drawing dwg (dwg/59 KB)



871 0005 / horizontal section LHa 118 - 131 mm

Drawing dxf (dxf/115 KB)

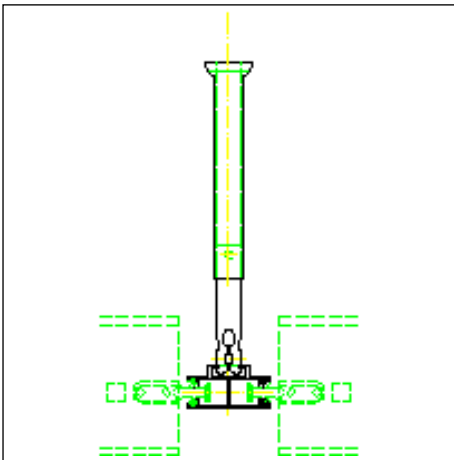
Drawing dwg (dwg/55 KB)



871 0006 / vertical section LHa 132 - 175 mm

Drawing dxf (dxf/225 KB)

Drawing dwg (dwg/90 KB)

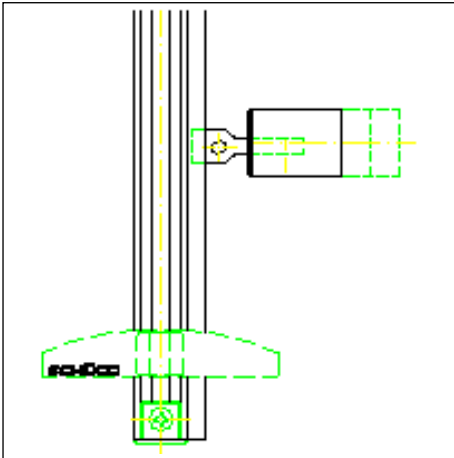


871 0006 / horizontal section LHa 132 - 175 mm

Drawing dxf (dxf/115 KB)

Drawing dwg (dwg/56 KB)

Retaining clip

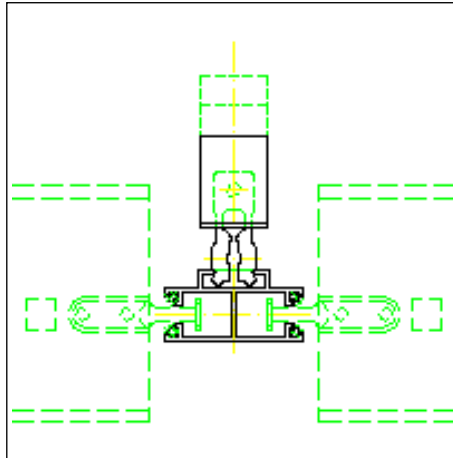


871 0100...102 / vertical section LHa

40.....69 mm

Drawing dxf (dxf/144 KB)

Drawing dwg (dwg/62 KB)

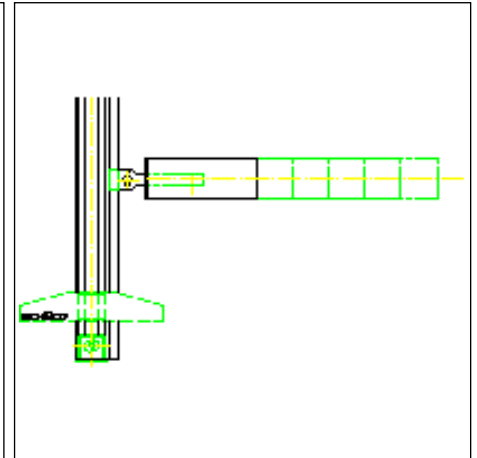


871 0100...102 / horizontal section LHa

40.....69 mm

Drawing dxf (dxf/122 KB)

Drawing dwg (dwg/58 KB)

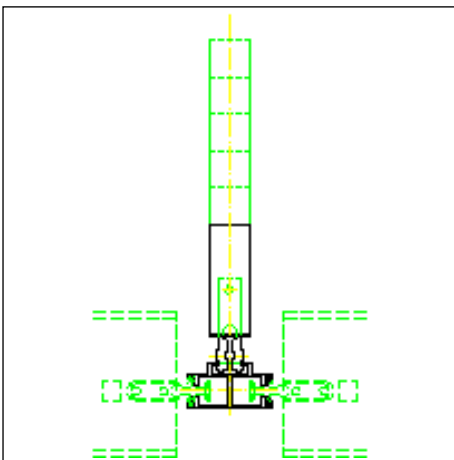


871 0103...108 / vertical section LHa

70.....189 mm

Drawing dxf (dxf/145 KB)

Drawing dwg (dwg/62 KB)



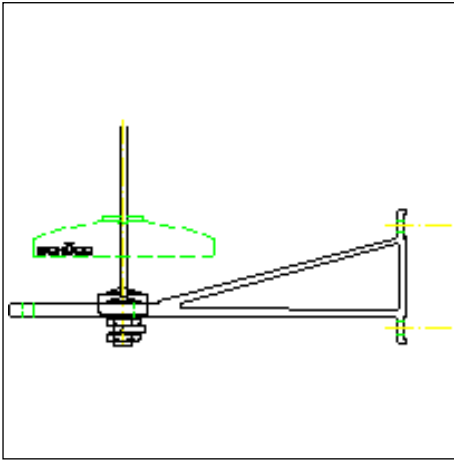
871 0103...108 / horizontal section LHa

70.....189 mm

Drawing dxf (dxf/166 KB)

Drawing dwg (dwg/66 KB)

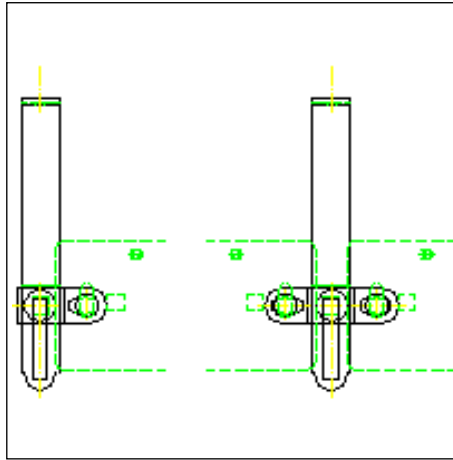
Cable tensioning bracket



**881 0102 / vertical section x 125-165
mm / a 45 mm**

Drawing dxf (dxf/256 KB)

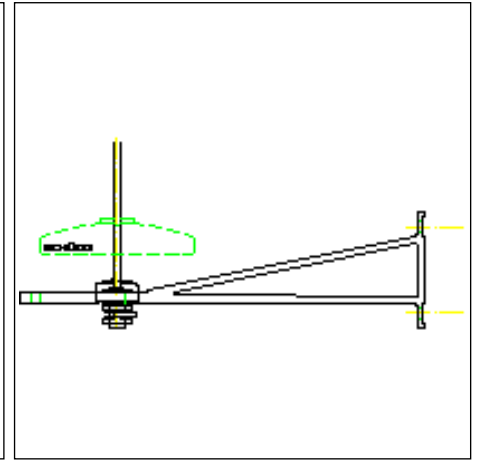
Drawing dwg (dwg/85 KB)



**881 0102 / horizontal section x 125-165
mm / a 45 mm**

Drawing dxf (dxf/101 KB)

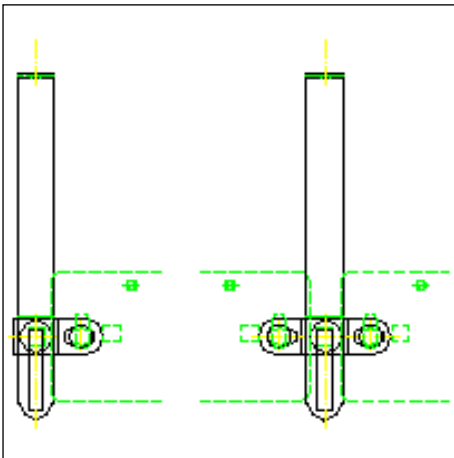
Drawing dwg (dwg/53 KB)



**881 0103 / vertical section x 160-200
mm / a 45 mm**

Drawing dxf (dxf/257 KB)

Drawing dwg (dwg/86 KB)

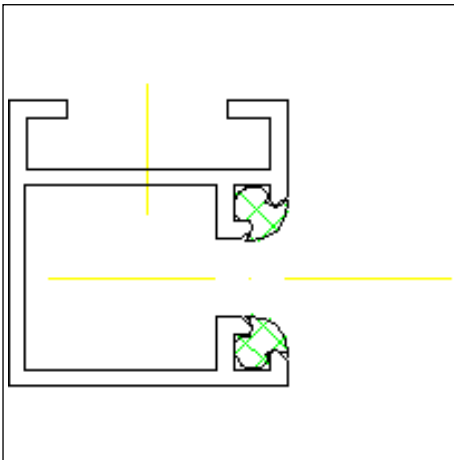


**881 0103 / horizontal section x 160-200
mm / a 45 mm**

Drawing dxf (dxf/121 KB)

Drawing dwg (dwg/59 KB)

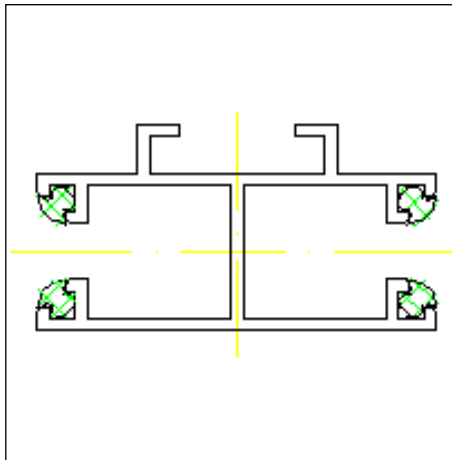
Track guides



Single guide rail (standard)

Drawing dxf (dxf/57 KB)

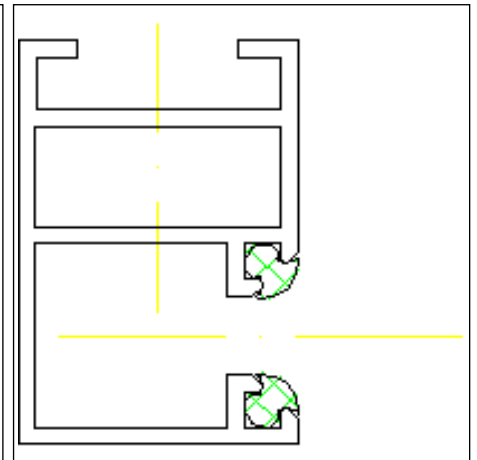
Drawing dwg (dwg/38 KB)



Double guide rail (standard)

Drawing dxf (dxf/78 KB)

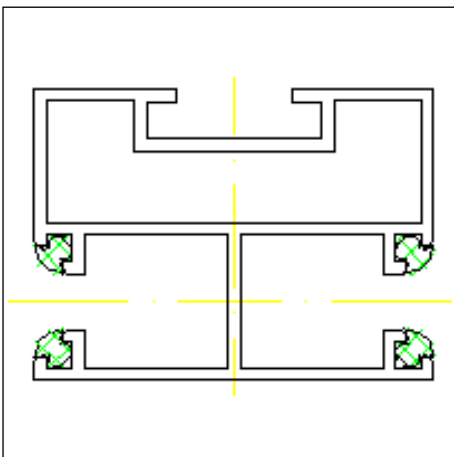
Drawing dwg (dwg/43 KB)



Single box guide rail 25

Drawing dxf (dxf/64 KB)

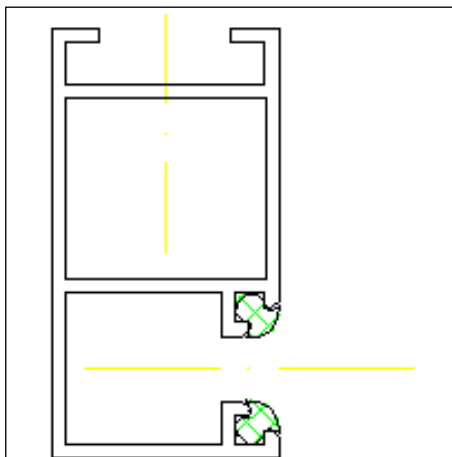
Drawing dwg (dwg/40 KB)



Double box guide rail 25

Drawing dxf (dxf/79 KB)

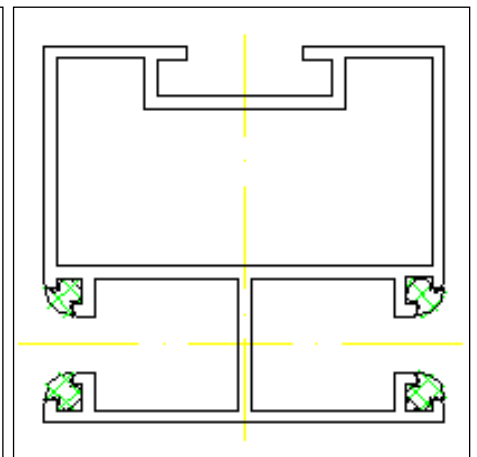
Drawing dwg (dwg/43 KB)



Single box guide rail 35

Drawing dxf (dxf/64 KB)

Drawing dwg (dwg/39 KB)

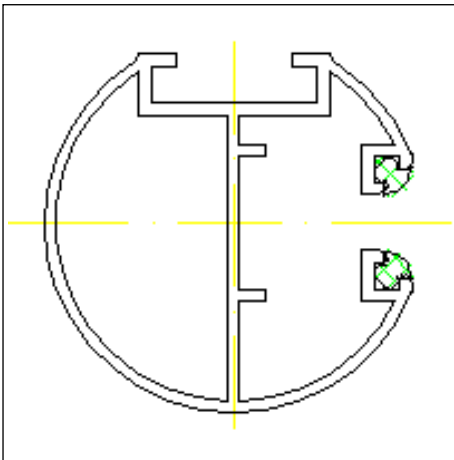


Double box guide rail 35

Drawing dxf (dxf/80 KB)

Drawing dwg (dwg/43 KB)

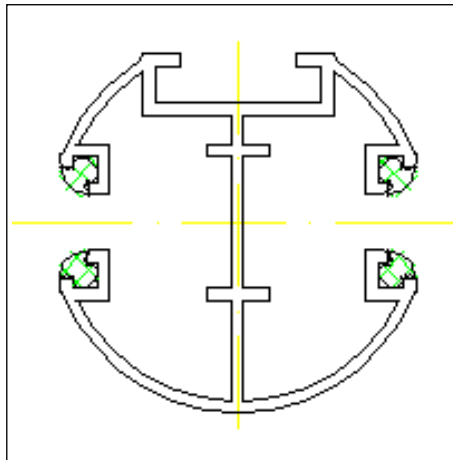
Track guides



Single round guide rail Ø 45 mm

Drawing dxf (dxf/67 KB)

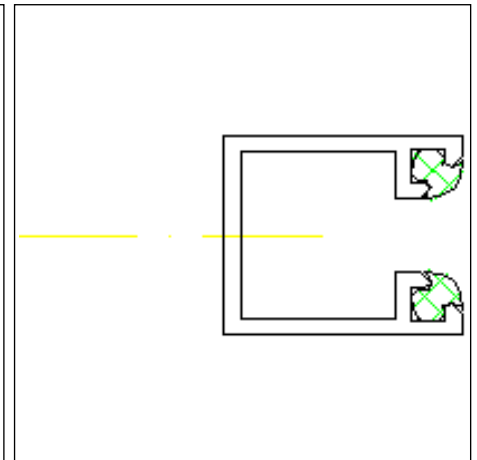
Drawing dwg (dwg/40 KB)



Double round guide rail Ø 45 mm

Drawing dxf (dxf/84 KB)

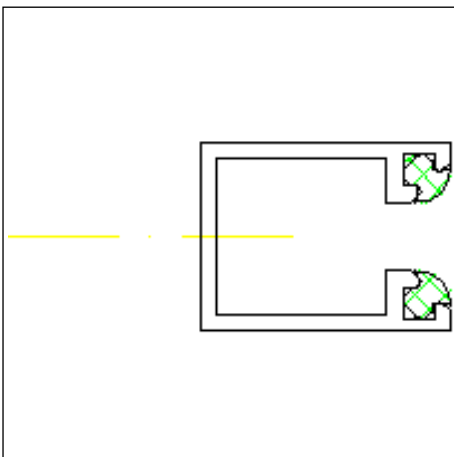
Drawing dwg (dwg/44 KB)



Inlet guide rail 21 (standard)

Drawing dxf (dxf/60 KB)

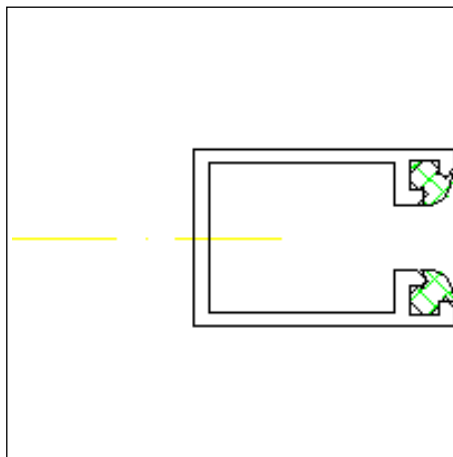
Drawing dwg (dwg/39 KB)



Inlet guide rail 24

Drawing dxf (dxf/60 KB)

Drawing dwg (dwg/39 KB)

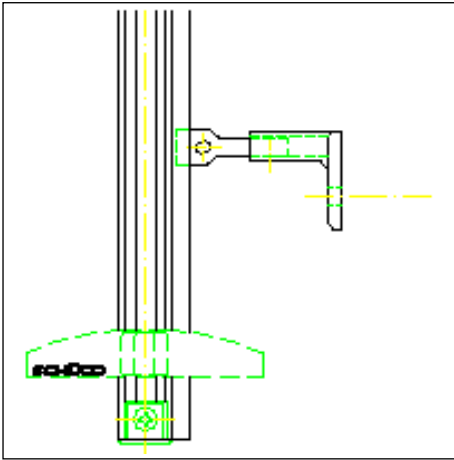


Inlet guide rail 26

Drawing dxf (dxf/60 KB)

Drawing dwg (dwg/39 KB)

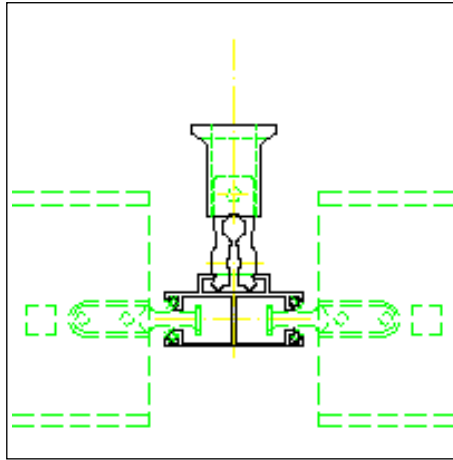
Standard bracket



871 0001 / vertical section LHa 40 - 51 mm

Drawing dxf (dxf/132 KB)

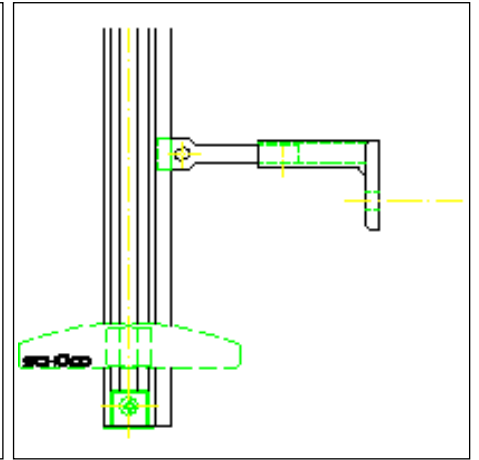
Drawing dwg (dwg/59 KB)



871 0001 / horizontal section LHa 40 - 51 mm

Drawing dxf (dxf/115 KB)

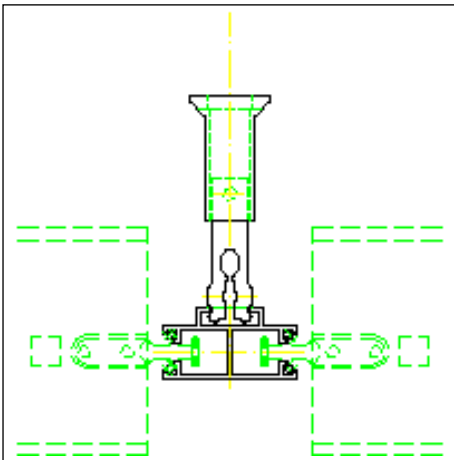
Drawing dwg (dwg/56 KB)



871 0002 / vertical section LHa 52 - 75 mm

Drawing dxf (dxf/132 KB)

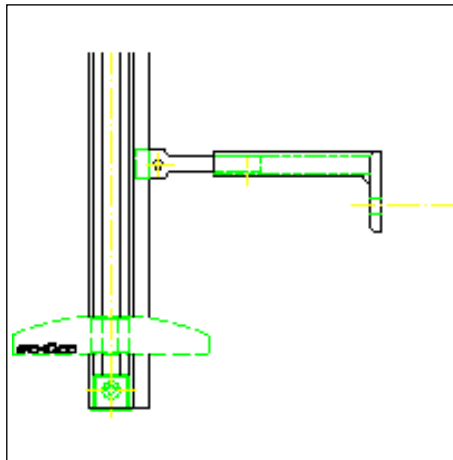
Drawing dwg (dwg/59 KB)



871 0002 / horizontal section LHa 52 - 75 mm

Drawing dxf (dxf/115 KB)

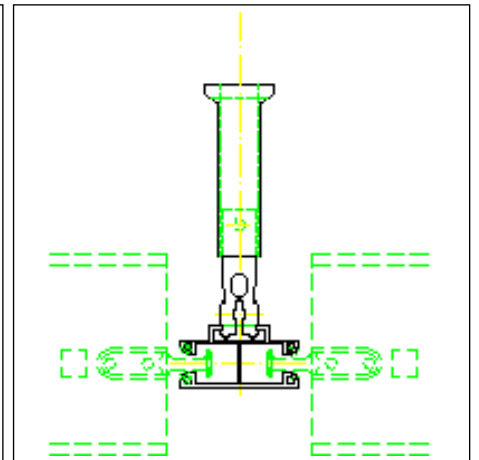
Drawing dwg (dwg/55 KB)



871 0003 / vertical section LHa 76 - 95 mm

Drawing dxf (dxf/132 KB)

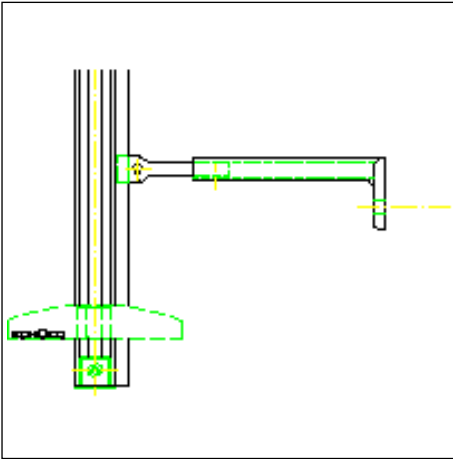
Drawing dwg (dwg/59 KB)



871 0003 / horizontal section LHa 76 - 95 mm

Drawing dxf (dxf/114 KB)

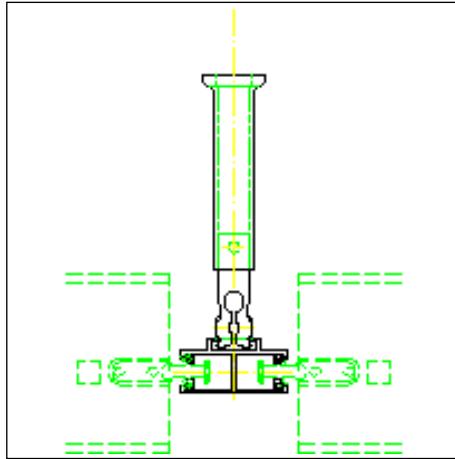
Drawing dwg (dwg/55 KB)



871 0004 / vertical section LHa 96 - 117 mm

Drawing dxf (dxf/295 KB)

Drawing dwg (dwg/109 KB)



871 0004 / horizontal section LHa 96 - 117 mm

Drawing dxf (dxf/115 KB)

Drawing dwg (dwg/56 KB)